

Custom Load Pin Worksheet

ANYLOAD specializes in designing and manufacturing custom load cells, weighing systems, and force measurement solutions tailored to your specific applications. Our experienced team ensures responsive turnaround times from initial consultations and prototyping to full-scale production.

This worksheet is designed to help ANYLOAD comprehensively gather all available technical specifications to provide the best product solutions for your load cell, weighing, and force measurement application. The completion of this form is **NOT** mandatory to submit an inquiry or contact us about custom solutions.

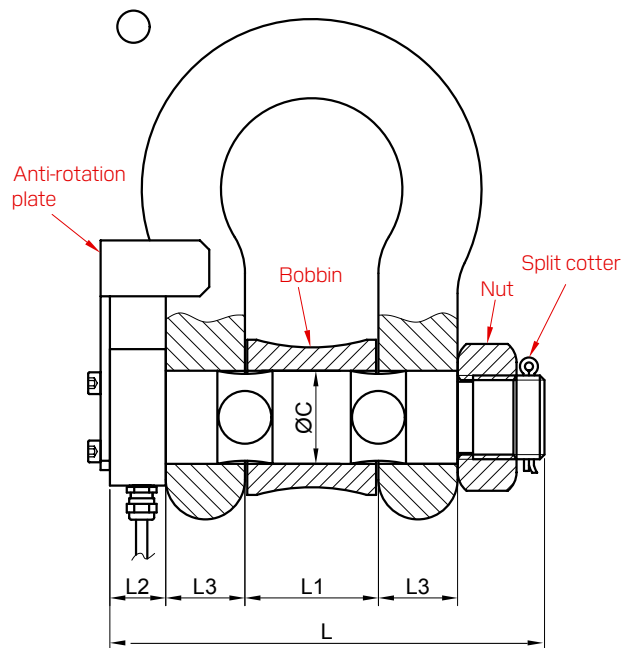
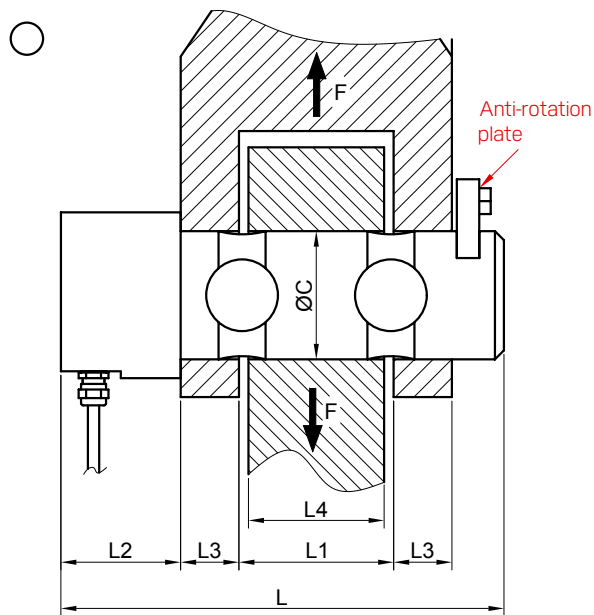
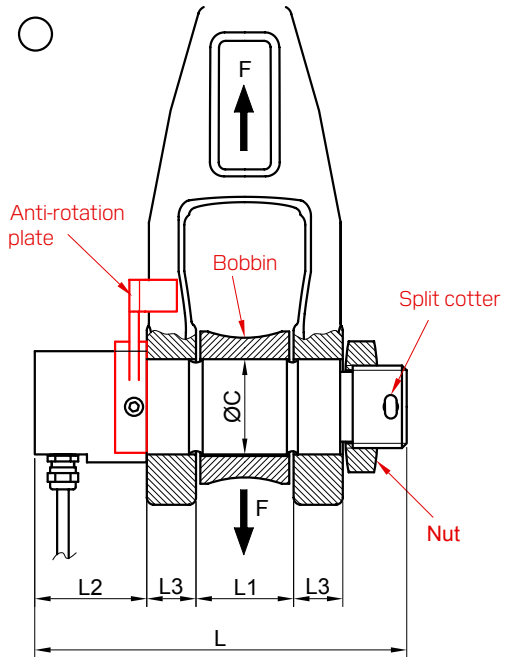
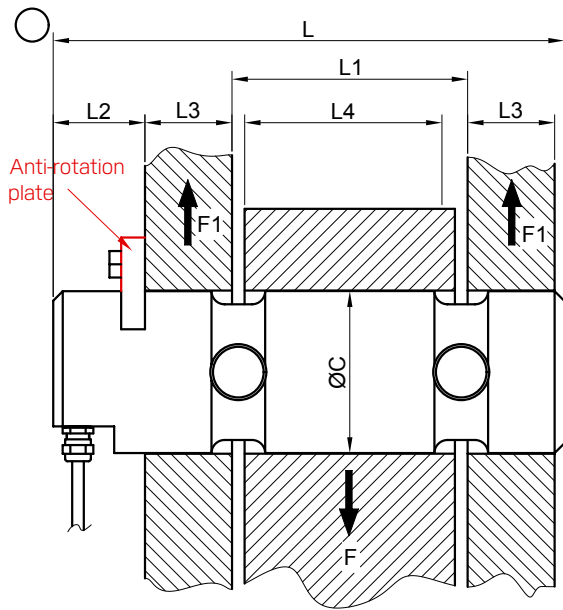
⚠ Worksheet Instructions:

- Please fill out the worksheet to the best of your knowledge.
- Leave any columns **BLANK** if they do not apply or you are uncertain about.
- Note in the **ADDITIONAL** section any other information.
- Upload the completed form and any additional drawings & documents to anyload.com/product/custom-made-load-pins/, or attach them in the Email to info@anyload.com

1. General Information	
a. Company Name:	
b. Company Address:	
c. Ship-To Address:	
d. Contact Name	
e. Email:	
f. Estimated Usage Quantity:	
g. Timeframe: (For samples and bulk if applicable)	
h. Reference Product: (If the custom solution is to be similar to an existing product)	Interchangeability (with existing load pin product): <input type="checkbox"/> Yes <input type="checkbox"/> No
	Reference Part Number: (Attach datasheet if available)
i. Application	

2. General Information

a. Type:



b. Dimensions:

	C	L (optional)	L1	L2 (optional)	L3	L4
mm						
inch						

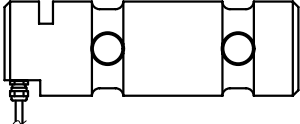
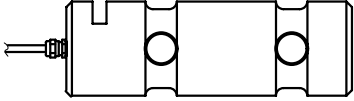
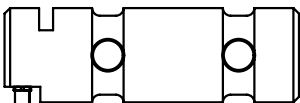
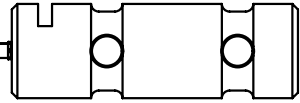
3. Operational

a. Rated Load Capacity: (Specify Unit of Measurement)		
b. Loading Mode:	<input type="checkbox"/> Compression <input type="checkbox"/> Tension	<input type="checkbox"/> Universal (Tension & Compression) <input type="checkbox"/> Multi-Axial
c. Adverse Loading:	Safe Overload _____ % FS Breaking Load _____ % FS	
d. Full Scale Output: (FSO)	mV/V ± _____ %	






4. Performance

a. Overall Accuracy Target:	± _____ % FSO (max)	
b. Calibration: (Zero and FSO counts as 2 points)	Loading Mode: <input type="checkbox"/> Compression <input type="checkbox"/> Tension <input type="checkbox"/> Universal <input type="checkbox"/> Multi-Axial Positive Output: <input type="checkbox"/> Compression <input type="checkbox"/> Tension	Calibration Points: <input type="radio"/> Yes <input type="radio"/> No If Yes: _____ points <input type="checkbox"/> Anyload Factory Report (default) <input type="checkbox"/> ISO/IEC 17025 Certificate (additional fee)
c. Special Testing: (Additional testing on top of our standard R&D validation and QA tests)	<input type="checkbox"/> Creep (24h) <input type="checkbox"/> Fatigue: _____ cycles <input type="checkbox"/> Overload: _____ % FS	<input type="checkbox"/> Destructive fracture: ___ unit(s) <input type="checkbox"/> High water pressure: ___ kPa <input type="checkbox"/> Salt-steam-spray: ___ hrs <input type="checkbox"/> Humidity: ___ hrs

5. Electrical

a. Excitation Voltage:	VDC (max)	
b. Zero Balance:	≤ ± _____ mV/V	
c. Terminal Resistance:	Input (Excitation) _____ Ohms ± _____ Ohms Output (Signal) _____ Ohms ± _____ Ohms	
d. Cable: (Default: Exc+ Red, Exc- Black, Sig+ Green, Sig- White, Shield Bare)	Length: _____	
	<div style="display: flex; justify-content: space-around;"> <div style="text-align: center;"> <input type="radio"/> Radial Cable Exit  </div> <div style="text-align: center;"> <input type="radio"/> Axial Cable Exit  </div> </div> <div style="display: flex; justify-content: space-around; margin-top: 10px;"> <div style="text-align: center;"> <input type="radio"/> Radial Connector Exit  </div> <div style="text-align: center;"> <input type="radio"/> Axial Connector Exit  </div> </div> <div style="display: flex; justify-content: space-around; margin-top: 10px;"> <div style="text-align: center;"> <p>If selected, specify: <input type="radio"/> M12 and <input type="radio"/> M8 <input type="radio"/> Male and <input type="radio"/> Female</p> </div> <div style="text-align: center;"> <p>If selected, specify: <input type="radio"/> M12 and <input type="radio"/> M8 <input type="radio"/> Male and <input type="radio"/> Female</p> </div> </div>	

6. Environmental		
a. General Location	Indoor	Outdoor
b. Operating Temperature Range:	_____ to _____ °C <input type="checkbox"/> or °F <input type="checkbox"/>	
c. Sealing:	IP Rating: _____	
d. Element Material:	<input type="radio"/> Stainless Steel <input type="radio"/> Alloy Steel Surface Treatment: <input type="radio"/> Nickel Plating (default) <input type="radio"/> Electrophoretic Coating <input type="radio"/> Other (specify): _____	
e. Corrosion: (Chemical that may corrode or degrade the load pin)	<input type="checkbox"/> Salt <input type="checkbox"/> Chlorine <input type="checkbox"/> Fertilizer <input type="checkbox"/> Strong Acid <input type="checkbox"/> Strong Base	<input type="checkbox"/> Heavy Oil <input type="checkbox"/> Animal Waste <input type="checkbox"/> Other (specify): _____
f. Hazardous Rating: (Explosive/hazardous atmospheres)	Class: _____ / Division: _____ / Group: _____ <input type="checkbox"/> FM (US) <input type="checkbox"/> FM (Canada) <input type="checkbox"/> ATEX <input type="checkbox"/> IECEx <input type="checkbox"/> Other	

7. Integrations	
a. Internal Amplification (Embedded amplifier to enable amplified/digitized signal output)	ANYLOAD amplification/digitization solution includes complementary PC software for calibration, readout, and data logging. <input type="radio"/> Analog <input type="radio"/> 4-20mA <input type="radio"/> 0-5 VDC <input type="radio"/> 0-10 VDC <input type="radio"/> ± 5 VDC <input type="radio"/> ± 10 VDC <input type="radio"/> Other (specify): _____
b. Instrumentation: (Paired digital instrumentation, can be calibrated with the load pin)	<div style="display: flex; justify-content: space-around; align-items: flex-start;"> <div style="text-align: center;">  <input type="radio"/> Handheld </div> <div style="text-align: center;">  <input type="radio"/> Panel Mount </div> <div style="text-align: center;">  <input type="radio"/> DIN Rail </div> </div> <div style="display: flex; justify-content: space-around; align-items: flex-start; margin-top: 20px;"> <div style="text-align: center;">  <input type="radio"/> Handheld </div> <div style="text-align: center;">  <input type="radio"/> Amplifier </div> </div>
c. Display Resolution: (Maximum)	_____ x _____
d. Calibration Points	_____ points

8. Additional Information (include below or attach separately)

The ANYLOAD team will evaluate and respond promptly once an inquiry has been submitted via our email (info@anyload.com) or or our website (www.anyload.com/product/custom-made-load-pins/).

Thank you for this opportunity to be of service.

The completion of this form is NOT mandatory to submit a custom load pin inquiry. This worksheet is designed to assist our team in methodically gathering comprehensive information.

For projects requiring substantial research and development, an engineering fee may be applicable. An estimate will be provided, and payment will be required before proceeding beyond the initial consultation and scoping stage. **No fees or expenses will be incurred without express written notice to and clear authorization from the client.**

If you prefer not to fill out the technical worksheet or require assistance with installation and servicing, you can simply contact us to discuss your application further or request a referral from us to an authorized ANYLOAD dealer in your area. Our dealers can provide on-site consultation, integration, calibration, and other relevant services, ensuring you receive the best possible solution without the need for direct technical involvement.

We look forward to working with you.

<p>Canada Office (HQ) Anyload Weigh & Measure Inc. 6855 Antrim Avenue, Burnaby, British Columbia V5J 4M5 Canada</p> <p>Toll Free: +1 (855)- ANYLOAD (269-5623) Email: info@anyload.com Website: www.anyload.com</p>	<p>USA Office Anyload LLC. 12 Littell Road, Unit 8B East Hanover, NJ 07936 USA</p> <p>Toll Free: +1 (855)- ANYLOAD (269-5623) Email: info@anyload.com Website: www.anyload.com</p>
<p>South Korea Office Anyload (Korea) Co Ltd. 201 Hyandong-ro, Deogyang-gu, Goyang-si, Gyeonggi-do, Apt. 823, Korea</p> <p>Toll Free: +1 (855)- ANYLOAD (269-5623) Email: info@anyload.com Website: www.anyload.com</p>	<p>China Office Anyload Youngzon Transducer (Hangzhou) Co Ltd. 518, 18th St., Qiantang Area, Hangzhou, Zhejiang, 310018, China</p> <p>Toll Free: +1 (855)- ANYLOAD (269-5623) Email: info@anyload.com Website: www.anyload.com</p>