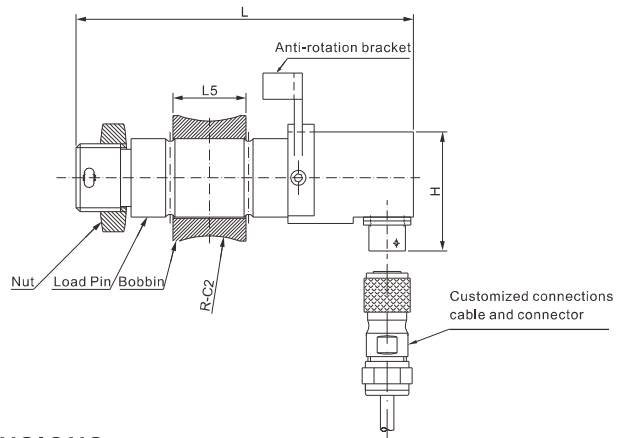
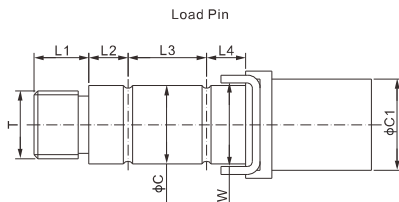




CE RoHS

### Features:

- Embedded analog amplifier optional with current output (4-20mA) and volt output (0-5 VDC; 0-10 VDC; -5 -5 VDC)
- Embedded digital amplifier optional with RS232, RS485 (Modbus RTU) and CAN Bus (CAN Open)
- Temperature range: -30-50°C; Can do custom-made temp up to 250°C
- Breaking loading can up to 500%
- Can produce a load pin that meets the Crosby shackle



### DIMENSIONS

RATED CAPACITY C	C1	C2	H	L	L1	L2	L3	L4	L5	W	T	SUGGESTED SHACKLE
t/mm												
5	30.0	35.0	R35.0	45.5	129.0	21.0	15.0	30.0	15.0	28.0	32.0	M26X1.5 Crosby G-416-27t
lb/inches (conversion of above dimensions)												
11	1.18	1.38	R1.38	1.79	5.08	0.83	0.59	1.18	0.59	1.10	1.26	M26X1.5 Crosby G-416-27t

### SPECIFICATIONS

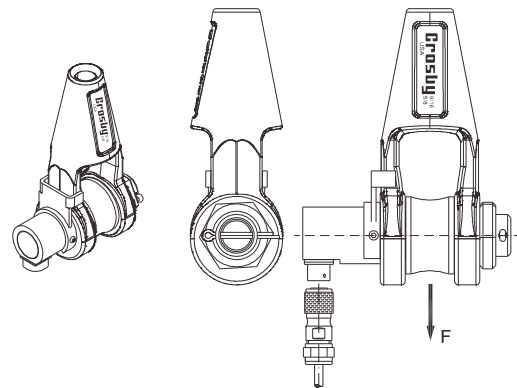
<b>Rated Output</b>	4-20mA*	<b>Recommended Excitation</b>	24V
<b>Non-linearity</b>	<±2.0%FS	<b>Insulation Resistance</b>	>2[50V DC] GΩ
<b>Repeatability</b>	<±0.3%FS	<b>Compensated Temperature Range</b>	-40°C - 40°C / -40°F -104°F (Max 250°C)
<b>Hysteresis Error</b>	<±2.0%FS	<b>Safe Overload</b>	150% of full scale
<b>Creep in 30 min.</b>	<±1.0%FS	<b>Breaking Overload</b>	300% of full scale (Max 500%)
<b>Element Material</b>	2Cr13 Stainless Steel	<b>Seal Type / IP Rating</b>	Environmentally Sealed / IP67

\* Built-in amplifier output signal, output range can be selected

### PART NUMBER

Rated Capacity	Part No.	Weight Approx. (kg)
5t.....	535TS2901AM-5t-416.....	0.8

### APPLICATION EXAMPLES\*



\* The load cell can be customized according to the shackle specifications