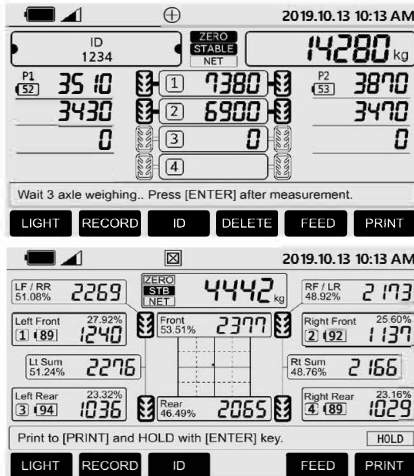


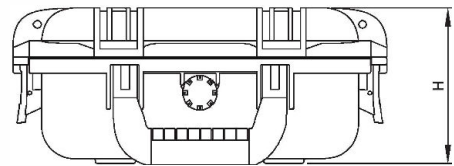
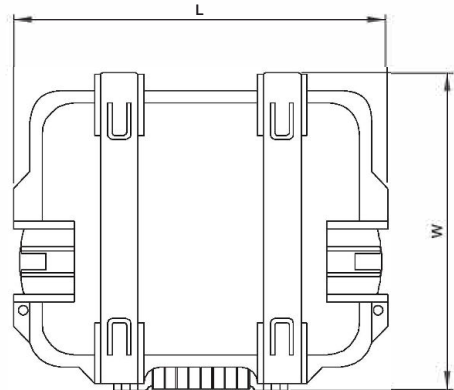
Axle Weighing Indicator



Features:

- Long-lasting 21700 lithium-ion battery with PCM approx. 600 hours of operation per charge
- High-contrast E-ink 4.2" display with LED front light for excellent visibility in all lighting conditions
- Supports wireless connection to up to 8 axle pads or scales simultaneously
- Durable silicon keypad for extended field use and tactile feedback
- Stores data for up to 1000 vehicles
- Zigbee wireless communication on 2.4GHz ISM band
- USB-A port for data backup to USB flash drives
- USB-C port for both charging and virtual COM communication
- Integrated direct line thermal printer for immediate ticket output
- IP-67 rated rugged housing for outdoor and harsh industrial conditions
- Compact and portable design-only 6lb(2.7kg)

INDICATORS & REMOTE DISPLAYS



SPECIFICATIONS

Display	E-ink 4.2" with LED front light
Internal Memory	Up to 1000 vehicle records
Maximum Connections	Supports up to 8 scales
Protocol	Proprietary 802.15.4
Indoor/Outdoor Range	30 / 300 meters
USB-A Port	For USB memory stick
USB-C Port	USB VCP interface & charging
Printer	Integrated direct line thermal printer
Battery	Built-in 21700 Li-ion with PCM
Charger	12VDC, 2A SMPS adapter (Quick Charge 2.0 / 3.0 compatible)
Operating Time	Approx. 600 hours
Operating Temperature	-20°C to 60°C
Operating Humidity	85% R.H. (No Condensation)

DIMENSIONS

L	11.50in (292.0mm)
W	9.76in (248.0mm)
H	4.76in (121.0mm)

PART NUMBER

Part No.	Weight Approx.
AN560-25A.....	6 lb/ 2.7 kg

Product Datasheet Disclaimer

Information Changes:

All product specifications, statements, information, and data (collectively, the “Information”) in this catalog or made available elsewhere by ANYLOAD are subject to change. Customers must verify the applicability of the Information at the time of order placement.

Accuracy and Reliability:

While all Information is believed to be accurate and reliable, it is presented without guarantee, warranty, or responsibility of any kind, expressed or implied.

Laboratory Conditions:

Data listed in the datasheet is produced within controlled laboratory settings and may not be reproducible without exact replication of all metrological conditions. Users must validate that a product with the described properties is suitable for their applications.

Interchangeability:

Statements of interchangeability with other manufacturers are based on ANYLOAD’s knowledge at the time of publication and are not intended to constitute any warranty concerning the substitutability of an ANYLOAD product with one made by another Manufacturer.

Warranty Voidance:

Any use of the product outside of specifications or any storage or installation inconsistent with product guidance voids any warranty.

Intended Use:

The information is intended for use only by customers who have the requisite experience and capability to determine the correct products for their application. ANYLOAD provides technical advice without obligation or liability for the advice given or results obtained.

Component Failures:

Although ANYLOAD designs and manufactures its products to stringent quality and safety standards, isolated component failures may still occur. Applications requiring high reliability or safety should employ suitable designs or safeguards to ensure that component failure does not result in personal injury or property damage.

High-Risk Applications:

Unless specifically agreed to in writing, ANYLOAD has not tested or certified its products, services, or deliverables for use in high-risk applications (e.g., medical life support, nuclear facilities, weapon systems). ANYLOAD makes no assurances that the products are suitable for high-risk uses. Under no circumstances does ANYLOAD warrant or guarantee suitability for any customer design or manufacturing process.

Contact authorized ANYLOAD personnel for special terms and conditions regarding products designed for specific safety requirements.

Safety Measures:

All product-related warnings, cautions, and notes must be observed. Customers should not assume that all safety measures are indicated or that other measures may not be required.

California Proposition 65:

⚠ WARNING: Some products manufactured or distributed by ANYLOAD may contain trace amounts of chemicals known to the State of California to cause cancer, birth defects, or other reproductive harm. These substances are present in minimal quantities and are typically encapsulated within our products. This warning is provided to enable you to make informed decisions as a consumer.