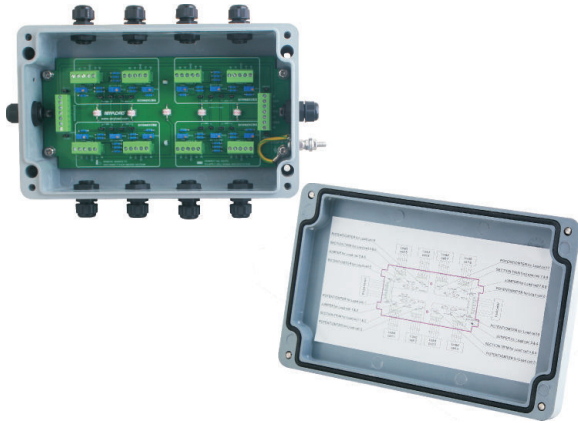
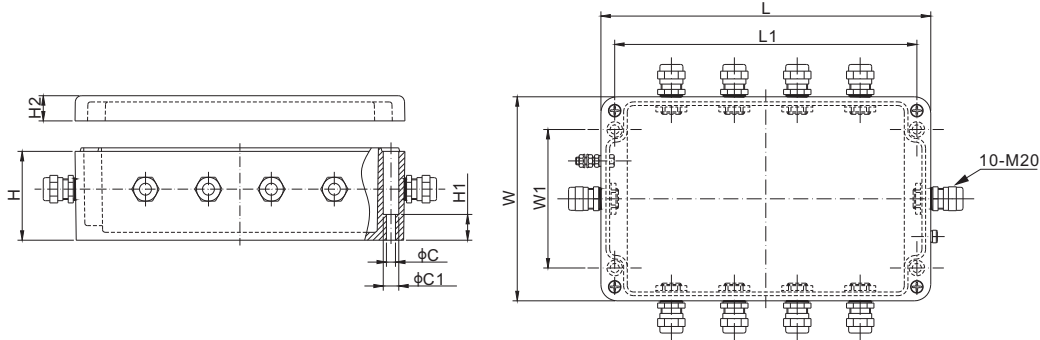


Fiberglass Reinforced Polyester



Features:

- Fiberglass reinforced polyester housing
- Quick removable load cell connectors
- Switchable On/Off power per channel
- Section and individual load cell trim pots
- Lightning/Over voltage protection
- Preinstalled GORE breather vent
- Conformal coated circuit board
- Number of load cells: 2-8 single cells
- Expansion port to/for additional J-Box
- IP rating: IP67
- Load cell shielding remains separate from earth ground terminal
- Load cell shielding is ideally intended to run from the load cell, through the junction box, into to the indicator where the shielding is ultimately grounded via the instrumentation power ground



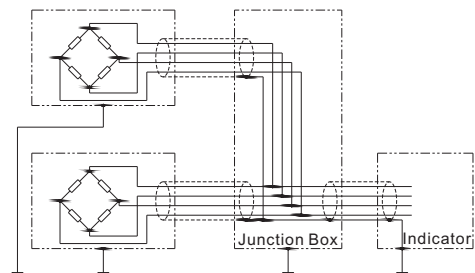
DIMENSIONS

	C	C1	H	H1	H2	L	L1	W	W1
mm	7.2	12.3	70.5	20.5	20	262	240	162	110
inches	0.3	0.5	2.8	0.8	0.8	10.3	9.4	6.4	4.3

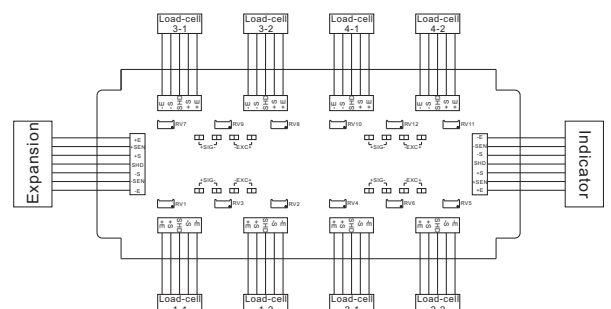
SPECIFICATIONS

Number of Cells	2 - 8 single cells
Input Cable Fittings	M20: 6mm - 12mm diameter cable
Output Cable Fittings	M20: 6mm - 12mm diameter cable
Trimming	Section or individual cell trim, with excitation or signal trim
Enclosure Material	Fiberglass Reinforced Polyester
IP Rating	IP67

SCHEMATIC DIAGRAM



MOTHERBOARD LAYOUT



TRIMMING RANGE

Load Cell Resistance	Signal Trim	Excitation Trim
350Ω	3.6% of output	5.4% of output
700Ω	6.3% of output	2.7% of output
1000Ω	8.0% of output	1.9% of output

PART NUMBER

Trimming	Section Trim	Lightning Protection	Part No.	Weight Approx. (kg)
Excitation	Yes	Yes	J08EP-E-03B	2.5
Signal	Yes	Yes	J08SP-E-03B	2.5