

Bench Scale, 304 Stainless Steel

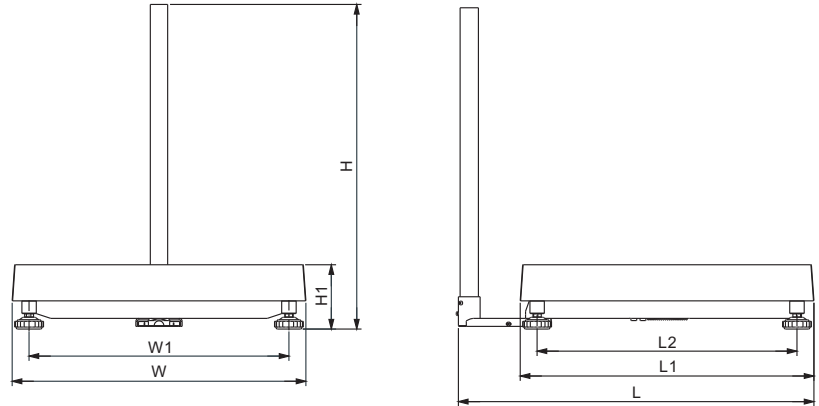


Indicator to be ordered separately.



Features:

- Heavy gage stainless steel pan
- Heavy gage stainless steel construction
- Level bubble
- Bracket, column and column holder included
- Overload capacity: 150% FS



DIMENSIONS(mm)

	L	L1	L2	H	H1	W	W1
TNS3030	439	310	240	407	112	310	240
TNS4050	639	510	440	665	110	410	340
TNS4646	599	470	400	667	112	470	400
TNS4660	739	610	540	686	140	470	400
TNS6060	739	610	540	667	134	610	540

SCALE PLATFORMS & HARDWARE

PART NUMBER	RATED CAPACITY	DIVISION	LOAD CELL CAPACITY	PLATFORM SIZE (inch/cm)	COLUMN LENGTH (inch/cm)	GROSS WEIGHT(kg/lb)
TNS3030-15kg	15kg	5g	108JA-20kg	11.8×11.8 / 30×30	15.75 / 40	10.9/24.0
TNS3030-30kg	30kg	10g	108JA-50kg	11.8×11.8 / 30×30	15.75 / 40	10.9/24.0
TNS3030-60kg	60kg	20g	108JA-75kg	11.8×11.8 / 30×30	15.75 / 40	10.9/24.0
TNS4050-60kg	60kg	20g	108JA-75kg	15.8×19.7 / 40×50	26 / 66	18.9/41.7
TNS4050-60kg-LE	60kg	20g	108JA-LE75kg	15.8×19.7 / 40×50	26 / 66	18.9/41.7
TNS4050-150kg-SE	150kg	50g	108JA-SE200kg	15.8×19.7 / 40×50	26 / 66	18.9/41.7
TNS4050-300kg-SE	300kg	100g	108JA-SE400kg	15.8×19.7 / 40×50	26 / 66	18.9/41.7
TNS4646-60kg	60kg	20g	108JA-75kg	18.1×18.1 / 46×46	26 / 66	24.6/54.2
TNS4646-60kg-LE	60kg	20g	108JA-LE75kg	18.1×18.1 / 46×46	26 / 66	24.6/54.2
TNS4646-150kg-SE	150kg	50g	108JA-SE200kg	18.1×18.1 / 46×46	26 / 66	24.6/54.2
TNS4646-300kg-SE	300kg	100g	108JA-SE400kg	18.1×18.1 / 46×46	26 / 66	24.6/54.2
TNS4660-60kg	60kg	20g	108JA-75kg	18.1×23.6 / 46×60	26 / 66	25.2/55.6
TNS4660-60kg-LE	60kg	20g	108JA-LE75kg	18.1×23.6 / 46×60	26 / 66	25.2/55.6
TNS4660-150kg-SE	150kg	50g	108JA-SE200kg	18.1×23.6 / 46×60	26 / 66	25.2/55.6
TNS4660-300kg-SE	300kg	100g	108JA-SE400kg	18.1×23.6 / 46×60	26 / 66	25.2/55.6
TNS6060-150kg-SE	150kg	50g	108JA-SE200kg	23.6×23.6 / 60×60	26 / 66	31.4/69.2
TNS6060-300kg-SE	300kg	100g	108JA-SE400kg	23.6×23.6 / 60×60	26 / 66	31.4/69.2

OPTIONAL INDICATORS

- Indicators (page 184-187)

LOAD CELL UPGRADE OPTION

- IP68, IP69K hermetically seal stainless steel load cell, 651JS (page 91)

All product specifications, statements, information and data (collectively, the "Information") in this catalog or made available elsewhere by ANYLOAD are subject to change. The customer is responsible for checking and verifying the extent to which the Information contained in this publication is applicable to an order at the time the order is placed. All Information given herein is believed to be accurate and reliable, but it is presented without guarantee, warranty, or responsibility of any kind, expressed or implied.

Data listed in the datasheet is produced within controlled laboratory settings and may not be reproduceable without exact replication of all conditions. It is the customer's responsibility to validate that a particular product with the properties described in the product specifications is suitable for use in their applications. Statements of interchangeability with other manufacturers are based on ANYLOAD's knowledge of product information at the time a publication was made, but are not intended to constitute any warranty concerning the substitutability of an ANYLOAD product with one made by another manufacturer.

Any use of product outside of specifications or any storage or installation inconsistent with product guidance voids and warranty.

The information is intended for use only by customers who have the requisite experience and capability to determine the correct products for their application. Any technical advice inferred from this Information or otherwise provided by ANYLOAD with reference to the use of ANYLOAD's products produces no obligation or liability for the advice given or results obtained.

Although ANYLOAD designs and manufactures its products to the most stringent quality and safety standards, isolated component failures may still occur. Accordingly, customer applications which require a high degree of reliability or safety should employ suitable designs or other safeguards in order to ensure that the failure of an electrical component does not result in a risk of personal injury or property damage.

Unless specifically agreed to in writing, ANYLOAD has not tested or certified its products, services or deliverables for use in high risk applications including medical life support, medical device, direct physical patient contact, water treatment, nuclear facilities, weapon systems, mass and air transportation control, flammable environments, or any other potentially life critical uses. Customer understands and agrees that ANYLOAD makes no assurances that the products, services or deliverables are suitable for any high-risk uses. Under no circumstances does ANYLOAD warrant or guarantee suitability for any customer design or manufacturing process. Although all product - related warnings, cautions and notes must be observed, the customer should not assume that all safety measures are indicated or that other measures may not be required. Please contact authorized ANYLOAD personnel to obtain special terms and conditions regarding products designed for such applications or otherwise satisfy specific safety requirements.