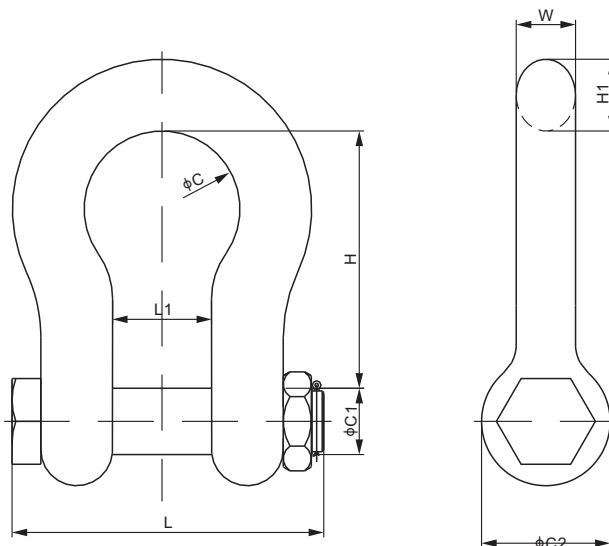


Shackle, Alloy Steel



Features:

- High tensile bolt type anchor shackle, quality meets ISO2415-2004
- Working Load Limit(WLL) permanently engraved on each shackle
- Each shackle proof tested to 2.0 times the Working Load Limit
- Breaking load: 4.0 times of Working Load Limit



DIMENSIONS

PART NUMBER	C	C1	C2	H	H1	L	L1	W	Working Load Limit	Safe Working Load Limit	Shipping Weight
mm											
TBX-2t	26	12	23	36.5	9.5	54	17	9.5	2t	0.13kg	
TBX-2.5t	29.5	14	27	43	11	62	19	11	2.5t	0.22kg	
TBX-3.25t	33	16	30	48	13	71.5	20.5	13	3.25t	0.31kg	
TBX-5t	43	20	38	60.5	17.5	89	27	16	5t	0.72kg	
TBX-7t	51	22	46	71.5	20.5	105	32	19	7t	1.10kg	
TBX-9.5t	58	27	53	84	24.5	121	36.5	22.5	9.5t	1.76kg	
TBX-12.5t	68.5	30	60.5	95	27	136.5	43	25.5	12.5t	2.58kg	
TBX-15t	74	33	68.5	108	32	150.5	46	29.5	15t	3.70kg	
TBX-18t	82.5	36	76	119	35	166.5	51.5	33	18t	5.06kg	
TBX-21t	92	39	84	133.5	38	181	57	36	21t	6.70kg	
TBX-30t	98.5	42	92	146	41	196.5	60.5	39	30t	8.42kg	
TBX-40t	127	52	106.5	178	57	239	73	47	40t	14.22kg	
TBX-50t	146	60	122	197	61	266.5	82.5	53	50t	23.3kg	
TBX-80t	184	72	144.5	267	79.5	344	105	69	80t	42.12kg	
TBX-110t	200	85	165	330	92	400	127	76	110t	74.8kg	
inches (conversion of above dimensions)											
TBX-2t	1.02	0.47	0.91	1.44	0.37	2.13	0.67	0.37	4.41Klb	0.29lb	
TBX-2.5t	1.16	0.55	1.06	1.69	0.43	2.44	0.75	0.43	5.51Klb	0.49lb	
TBX-3.25t	1.30	0.63	1.18	1.89	0.51	2.81	0.81	0.51	7.17Klb	0.68lb	
TBX-5t	1.69	0.79	1.50	2.38	0.69	3.50	1.06	0.63	11.02Klb	1.59lb	
TBX-7t	2.01	0.87	1.81	2.81	0.81	4.13	1.26	0.75	15.43Klb	2.43lb	
TBX-9.5t	2.28	1.06	2.09	3.31	0.96	4.76	1.44	0.89	20.94Klb	3.88lb	
TBX-12.5t	2.70	1.18	2.38	3.74	1.06	5.37	1.69	1.00	27.56Klb	5.69lb	
TBX-15t	2.91	1.30	2.70	4.25	1.26	5.93	1.81	1.16	33.07Klb	8.16lb	
TBX-18t	3.25	1.42	2.99	4.69	1.38	6.56	2.03	1.30	39.68Klb	11.16lb	
TBX-21t	3.62	1.54	3.31	5.26	1.50	7.13	2.24	1.42	46.30Klb	14.77lb	
TBX-30t	3.88	1.65	3.62	5.75	1.61	7.74	2.38	1.54	66.14Klb	18.56lb	
TBX-40t	5.0	2.05	4.19	7.01	2.24	9.41	2.87	1.85	88.18Klb	31.35lb	
TBX-50t	5.75	2.36	4.80	7.76	2.40	10.5	3.25	2.09	110.23Klb	51.37lb	
TBX-80t	7.24	2.83	5.69	10.5	3.13	13.5	4.13	2.72	176.37Klb	92.86lb	
TBX-110t	7.87	3.35	6.50	13.0	3.62	15.7	5.0	2.99	242.51Klb	164.91lb	

SHACKLES, EYEBOLTS, ROD END

All product specifications, statements, information and data (collectively, the "Information") in this catalog or made available elsewhere by ANYLOAD are subject to change. The customer is responsible for checking and verifying the extent to which the Information contained in this publication is applicable to an order at the time the order is placed. All Information given herein is believed to be accurate and reliable, but it is presented without guarantee, warranty, or responsibility of any kind, expressed or implied.

Data listed in the datasheet is produced within controlled laboratory settings and may not be reproduceable without exact replication of all conditions. It is the customer's responsibility to validate that a particular product with the properties described in the product specifications is suitable for use in their applications. Statements of interchangeability with other manufacturers are based on ANYLOAD's knowledge of product information at the time a publication was made, but are not intended to constitute any warranty concerning the substitutability of an ANYLOAD product with one made by another manufacturer.

Any use of product outside of specifications or any storage or installation inconsistent with product guidance voids and warranty.

The information is intended for use only by customers who have the requisite experience and capability to determine the correct products for their application. Any technical advice inferred from this Information or otherwise provided by ANYLOAD with reference to the use of ANYLOAD's products produces no obligation or liability for the advice given or results obtained.

Although ANYLOAD designs and manufactures its products to the most stringent quality and safety standards, isolated component failures may still occur. Accordingly, customer applications which require a high degree of reliability or safety should employ suitable designs or other safeguards in order to ensure that the failure of an electrical component does not result in a risk of personal injury or property damage.

Unless specifically agreed to in writing, ANYLOAD has not tested or certified its products, services or deliverables for use in high risk applications including medical life support, medical device, direct physical patient contact, water treatment, nuclear facilities, weapon systems, mass and air transportation control, flammable environments, or any other potentially life critical uses. Customer understands and agrees that ANYLOAD makes no assurances that the products, services or deliverables are suitable for any high-risk uses. Under no circumstances does ANYLOAD warrant or guarantee suitability for any customer design or manufacturing process. Although all product - related warnings, cautions and notes must be observed, the customer should not assume that all safety measures are indicated or that other measures may not be required. Please contact authorized ANYLOAD personnel to obtain special terms and conditions regarding products designed for such applications or otherwise satisfy specific safety requirements.