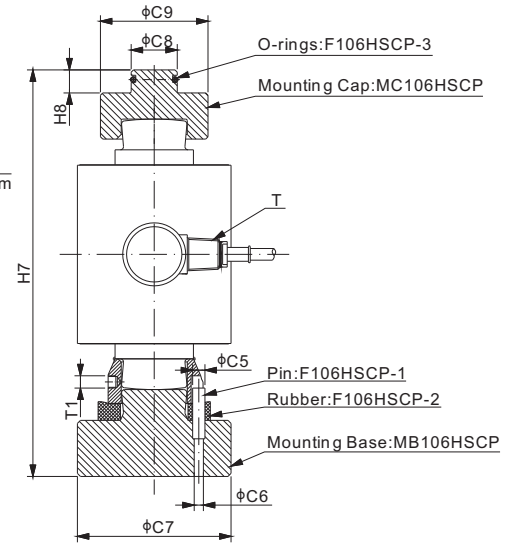
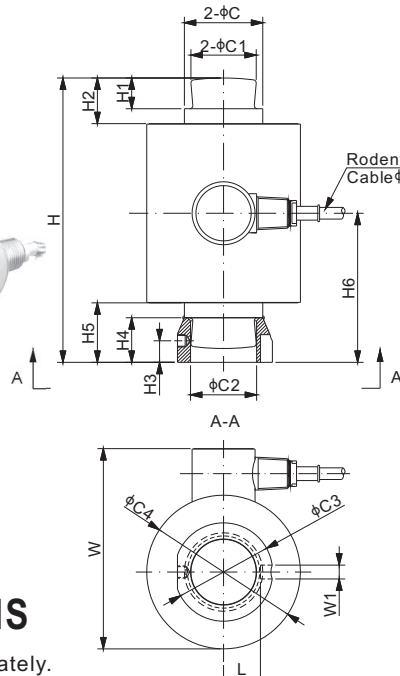


106HSCP

Stainless Steel



- Material of MC106HSCP, MB106HSCP & F106HSCP-1 is 17-4PH stainless steel;
- Material of F106HSCP-2 & F106HSCP-3 is rubber



Mounting hardware to be ordered separately.

DIMENSIONS

RATED CAPACITY	C	C1	C2	C3	C4	C5	C6	C7	C8	C9	H	H1	H2
t/mm													
35	51.0	42.5	43.0	64.0	100.0	8.0	6.0	100.0	30.0	70.0	185.0	20.0	29.7
Klb/inches (conversion of above dimensions)													
77.16	2.01	1.67	1.69	2.52	3.94	0.31	0.24	3.94	1.18	2.76	7.28	0.79	1.17
RATED CAPACITY	H3	H4	H5	H6	H7	H8	L	W	W1	T	T1		
t/mm													
35	14.0	29.0	38.7	97.0	264.5	15.0	24.0	130.3	9.0	1/2-14 NPT	M8 Depth5		
Klb/inches (conversion of above dimensions)													
77.16	0.55	1.14	1.52	3.82	10.41	0.59	0.94	5.13	0.35	1/2-14 NPT	M8 Depth0.2		

SPECIFICATIONS

Full Scale Output	2.0 mV/V ± 0.25%	Recommended Excitation	10V (15V Maximum)
Zero Balance	± 0.02 mV/V	Insulation Resistance	>2 [50V DC] GΩ
Non-linearity	< ± 0.03%	Compensated Temperature Range	-10°C to 50°C / 14°F to 122°F
Repeatability	< ± 0.02%	Safe Overload	150% of full scale
Hysteresis Error	< ± 0.02%	Breaking Overload	300% of full scale
Creep in 30 min.	< ± 0.02%	Seal Type / IP Rating	Welded Seal / IP68
Input Resistance	700Ω ± 20	Cable Color Code	Exc+ Red Exc- Black
Output Resistance	705Ω ± 5		Sig+ Green Sig- White
Element Material	17-4PH Stainless Steel		Shield Bare

PART NUMBER**

Load Cell	Part No.	Weight Approx. (kg)
Rated Capacity		
35t.....	106HSCP-35t	6.9
	106HSCP-35t-FP*	10.2

Mounting Hardware

Mounting Hardware	Load Cell Capacity	Part No.	Weight Approx. (kg)
Mounting Cap	35t.....	MC106HSCP-35t.....	0.8
Mounting Base.....	35t.....	MB106HSCP-35t.....	2.4
Pin.....	35t.....	F106HSCP-1-35t.....	0.012
Rubber.....	35t.....	F106HSCP-2-35t.....	0.002
O-Ring.....	35t.....	F106HSCP-3-35t.....	0.001

* 106HSCP-FP includes: 1 unit each of load cell, mounting cap, mounting base, pin, rubber, o-ring.

* ATEX, FM, IECEx approved versions carry the "-Ex" suffix.

INTERCHANGEABLE REFERENCE

Brand	Model
Bilanciai.....	CPR-M



NTEP 1:10 000 Class III/L, Multiple Cell



OIML MAA C3, Y=16 000

For further available P/N's & specifications per NTEP/OIML classes, please contact us.

All product specifications, statements, information and data (collectively, the "Information") in this catalog or made available elsewhere by ANYLOAD are subject to change. The customer is responsible for checking and verifying the extent to which the Information contained in this publication is applicable to an order at the time the order is placed. All Information given herein is believed to be accurate and reliable, but it is presented without guarantee, warranty, or responsibility of any kind, expressed or implied.

Data listed in the datasheet is produced within controlled laboratory settings and may not be reproducible without exact replication of all conditions. It is the customer's responsibility to validate that a particular product with the properties described in the product specifications is suitable for use in their applications. Statements of interchangeability with other manufacturers are based on ANYLOAD's knowledge of product information at the time a publication was made, but are not intended to constitute any warranty concerning the substitutability of an ANYLOAD product with one made by another manufacturer.

Any use of product outside of specifications or any storage or installation inconsistent with product guidance voids and warranty.

The information is intended for use only by customers who have the requisite experience and capability to determine the correct products for their application. Any technical advice inferred from this Information or otherwise provided by ANYLOAD with reference to the use of ANYLOAD's products produces no obligation or liability for the advice given or results obtained.

Although ANYLOAD designs and manufactures its products to the most stringent quality and safety standards, isolated component failures may still occur. Accordingly, customer applications which require a high degree of reliability or safety should employ suitable designs or other safeguards in order to ensure that the failure of an electrical component does not result in a risk of personal injury or property damage.

Unless specifically agreed to in writing, ANYLOAD has not tested or certified its products, services or deliverables for use in high risk applications including medical life support, medical device, direct physical patient contact, water treatment, nuclear facilities, weapon systems, mass and air transportation control, flammable environments, or any other potentially life critical uses. Customer understands and agrees that ANYLOAD makes no assurances that the products, services or deliverables are suitable for any high-risk uses. Under no circumstances does ANYLOAD warrant or guarantee suitability for any customer design or manufacturing process. Although all product - related warnings, cautions and notes must be observed, the customer should not assume that all safety measures are indicated or that other measures may not be required. Please contact authorized ANYLOAD personnel to obtain special terms and conditions regarding products designed for such applications or otherwise satisfy specific safety requirements.