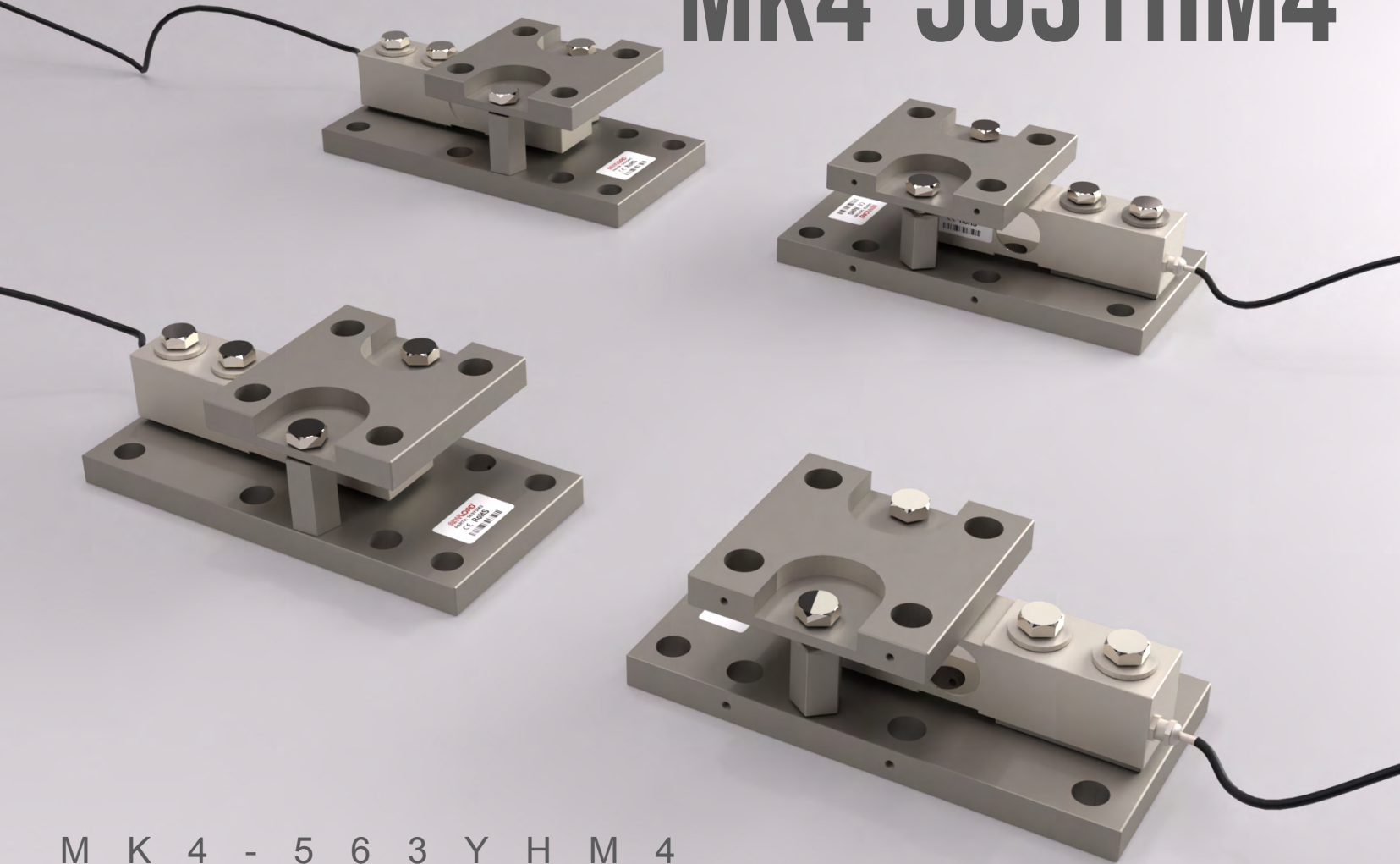


MODEL MK4-563YHM4



M K 4 - 5 6 3 Y H M 4

FEATURES:

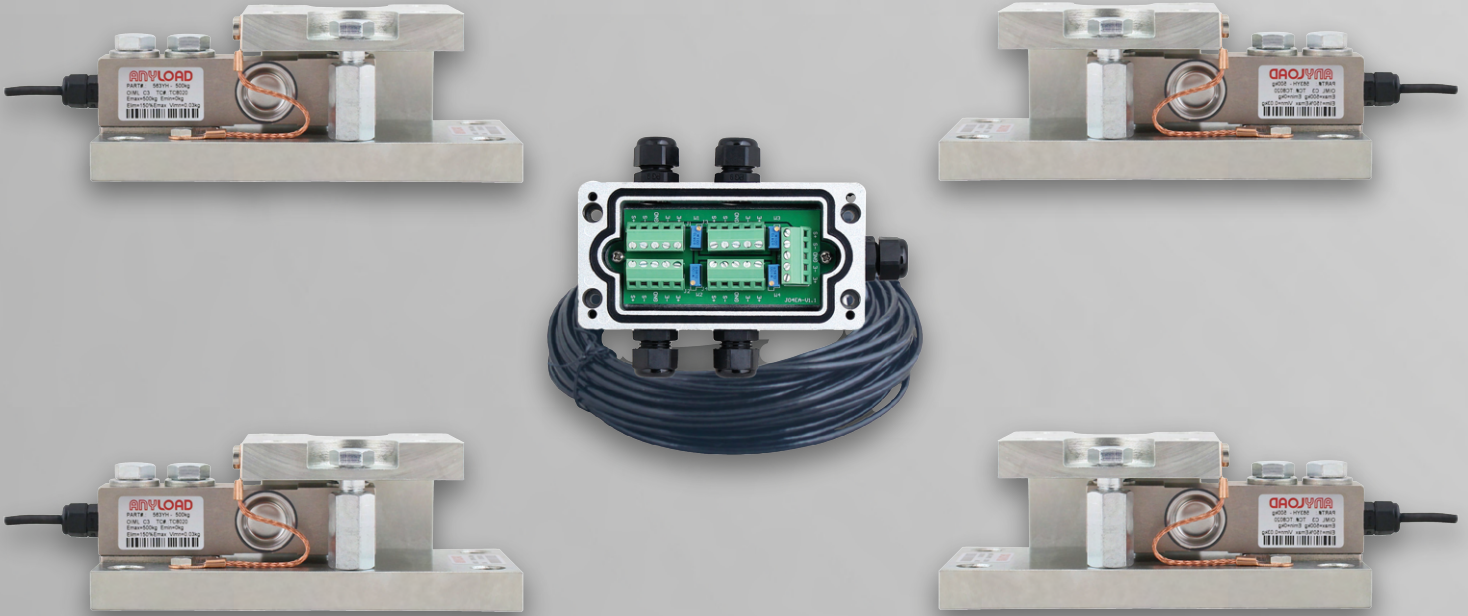
- FM, ATEX, IECEx certified version available
- 50% rated load anti-lifting and side force protection
- Load cell with 150% overload protection
- Stainless and alloy steel versions
- Allowance for thermal expansion
- Junction box equipped with corner trim pots
- Conventional wiring and color code



J04SA-16

MK4-563YHM4

Weigh Module Kit

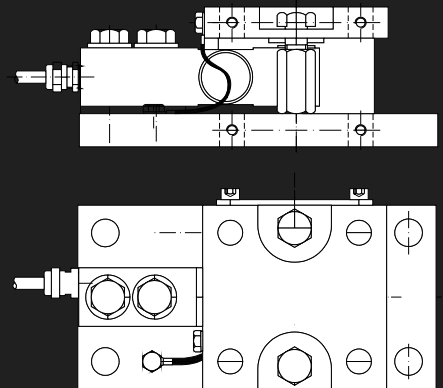
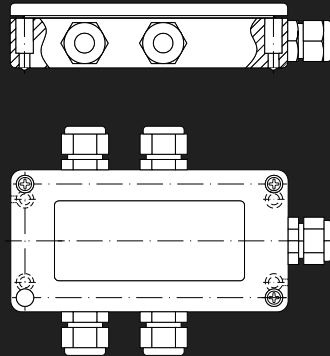


DESCRIPTION:

The MK4-563YHM4 weigh module kit features four best-selling 563YH true shear beam load cells and weigh modules, including home run cable & junction box. Our rocker pin loading design provides ideal freedom for proper alignment and thermal expansion. Each weigh module is fully protected from both overload and uplift. This adaptable low profile kit is ideal for saving installation time with four additional bolt holes in the bottom plate, this matching the typical tank leg bolt pattern in the floor, for ease of installation. Each kit comes with an IP67 water-resistant j-box & 65ft cable.

J04EA-16 (INCLUDE IN KIT)

563YSM3-02



PART NUMBER

Part No.	Load Cell Capacity
MK4-563YHM-100lb-S.....	100lb.....
MK4-563YHM-2.5Klb-S.....	2.5Klb....
MK4-563YHM-4Klb-S.....	4Klb.....
MK4-563YHM-5Klb-S.....	5Klb.....
MK4-563YHM-10Klb-S.....	10Klb.....