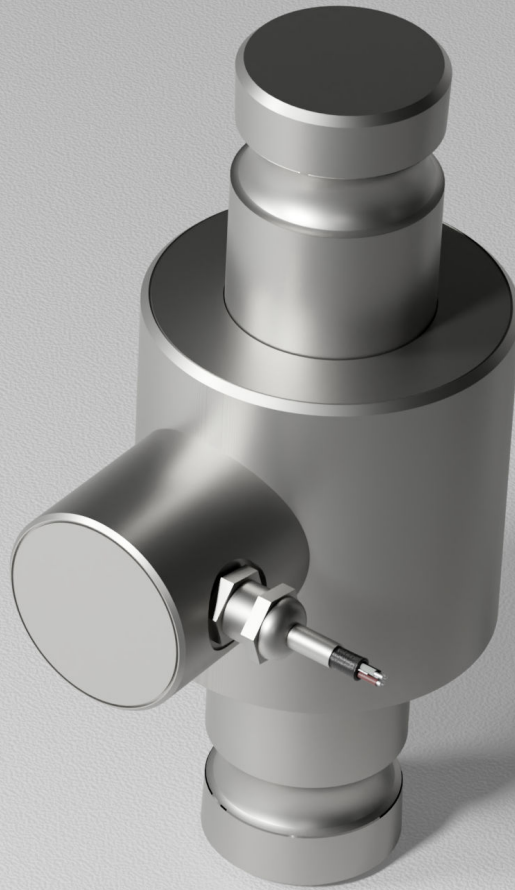


106TS

Canister Load Cell



Specifications

Rated Capacities: 50Klb, 100Klb, SE30t, 30t

Full Scale Output: 2.0 mV/V \pm 0.1%

Zero Balance: \pm 0.02 mV/V

Non-linearity: $< \pm$ 0.030%

Repeatability: $< \pm$ 0.017%

Safe Overload: 150% of full scale

Creep in 30 min: $< \pm$ 0.020%

Compensated Temperature Range: -10 C° to 50 C° / 14 F° to 122F°

Certifications: OIML MAA C3, Y=16 000
NTEP 1:10 000 Class III, Multiple Cell

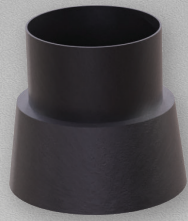
Seal Type: Welded sealed

IP Rating: IP68

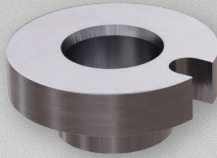
Features

- Stainless steel, heavy-duty construction.
- 3 mounting cap variations for easy retrofit
- Power Cell 760, MTX and PDX
- Ideal for high-capacity & industrial applications such as truck scales, rail scales, hopper and soli weighing.
- Versatile and reliable.

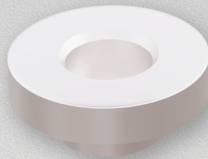




F106TS-2A



MB106TS-C1-YZ



MC106TS-C1-YZ

MC106TS-C1-YZ

106TS Load Cell

MB106TS-C1-YZ



Description

The 106TS is an OIML and NTEP-certified stainless steel IP68 canister load cell. The heavy-duty construction of the load cell offers excellent performance even under harsh conditions. Common applications include truck scales, rail scales, hopper & silo weighing, and other high-capacity/industrial needs. The 106TS is interchangeable with Coti-Global CG-26S7 and Mettler-Toledo 0782, PowerCell 760, MTX, and PDX. Mounting hardware to be ordered separately.

Diagram - 106TS

