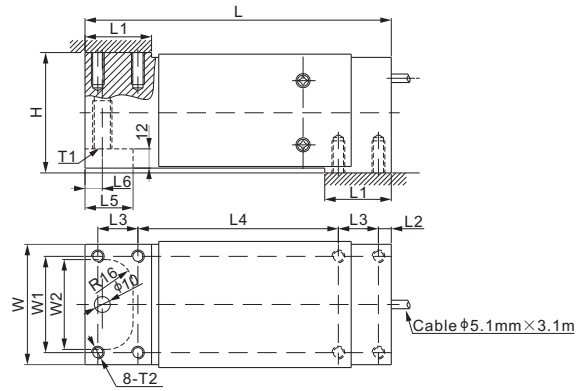


# 108UA; 108UAUN



## Aluminum



### DIMENSIONS

RATED CAPACITY	H	L	L1	L2	L3	L4	L5	L6	W	W1	W2	T1	T2
<b>108UA:</b> kg/mm 50-1,000	75.0	191.0	41.5	8.0	25.0	125.0	30.0	10.8	75.0	60.0	56.0	M12 Depth30	M8 Depth20
<b>lb/inches</b> (conversion of above dimensions) 110.2-2,204.6	2.95	7.52	1.63	0.31	0.98	4.92	1.18	0.43	2.89	2.36	2.20	M12 Depth1.2	M8 Depth0.8
<b>108UAUN:</b> kg/mm 30-1,500	75.0	191.0	41.5	8.0	25.0	125.0	30.0	10.8	75.0	60.0	56.0	1/2 -20 UNF Depth30	5/16 -18 UNC Depth20
<b>lb/inches</b> (conversion of above dimensions) 66.1-3,306.9	2.95	7.52	1.63	0.31	0.98	4.92	1.18	0.43	2.89	2.36	2.20	1/2 -20 UNF Depth1.2	5/16 -18 UNC Depth0.8

### SPECIFICATIONS

Full Scale Output	2.0 mV/V ± 10%	Recommended Excitation	10V (15V Maximum)
Zero Balance	± 0.02 mV/V	Reference Max. Platform Size	750×750 mm
Non-linearity	< ± 0.017%	Insulation Resistance	> 2 [ 50V DC ] GΩ
Repeatability	< ± 0.017%	Nominal Temperature Range	-10°C to 40°C / 14°F to 104°F
Hysteresis Error	< ± 0.017%	Safe Overload	150% of full scale
Creep in 30 min.	< ± 0.023%	Breaking Overload	300% of full scale
Input Resistance	415Ω ± 15	Seal Type / IP Rating	Environmentally Sealed / IP66
Output Resistance	350Ω ± 3	Cable Color Code	Exc+ Red    Exc- Black Sig+ Green    Sig- White    Shield Bare
Element Material	Aluminum, Clear Anodized		

### PART NUMBER\*

Rated Capacity	Part No.	Weight Approx. (kg)
30kg.....	108UAUN-30kg-NP.....	2.7
50kg.....	108UA-50kg .....	2.7
	108UAUN-50kg.....	2.7
100kg.....	108UA-100kg .....	2.7
	108UAUN-100kg.....	2.7
150kg.....	108UA-150kg .....	2.7
	108UAUN-150kg.....	2.7
200kg.....	108UA-200kg .....	2.7
	108UAUN-200kg.....	2.7
300kg.....	108UA-300kg .....	2.7
	108UAUN-300kg.....	2.7
500kg.....	108UA-500kg .....	2.7
	108UAUN-500kg.....	2.7
635kg.....	108UA-635kg .....	2.7
	108UAUN-635kg.....	2.7
700kg.....	108UA-700kg .....	2.7
	108UAUN-700kg.....	2.7
1t.....	108UA-1t.....	2.7
	108UAUN-1t.....	2.7
1.5t.....	108UAUN-1.5t.....	2.7

\* ATEX, FM, IECEx approved versions carry the "-Ex" suffix.

### INTERCHANGEABLE REFERENCE

<b>108UA Brand</b>	<b>Model</b>
Cardinal.....	CHB*
<b>108UAUN Brand</b>	<b>Model</b>
ANYLOAD.....	651BAUN
Coti Global.....	CG-50
FLINTEC.....	PCB**
HBM.....	PW12B
HBM.....	PW12
Rice Lake.....	RL1250
Vishay Celtron.....	LOC
Vishay Revere Transducers.....	652
Vishay Sensortronics.....	60060
Vishay TedeA-Huntleigh.....	1250

\* Cardinal CHB is of metric threaded holes, without U-shaped plate.

\*\* Flintec PCB is of stainless steel construction, hermetically sealed Flintec PCB has 3 version: PCB, PCBB, PCBC, Anyload's 108UAUN is interchangeable to PCB version.

30kg-500kg: NTEP 1:5 000 Class III, Single Cell;  
635kg-1.5t: NTEP 1:4 000 Class III, Single Cell

30kg: OIML MAA C6, Y=20 000;  
50kg-500kg: OIML MAA C6, Y=29 000;  
635kg-1.5t: OIML MAA C4, Y=4 000  
For further available P/N's & specifications per NTEP/OIML classes, please contact us.

All product specifications, statements, information and data (collectively, the "Information") in this catalog or made available elsewhere by ANYLOAD are subject to change. The customer is responsible for checking and verifying the extent to which the Information contained in this publication is applicable to an order at the time the order is placed. All Information given herein is believed to be accurate and reliable, but it is presented without guarantee, warranty, or responsibility of any kind, expressed or implied.

Data listed in the datasheet is produced within controlled laboratory settings and may not be reproducible without exact replication of all conditions. It is the customer's responsibility to validate that a particular product with the properties described in the product specifications is suitable for use in their applications. Statements of interchangeability with other manufacturers are based on ANYLOAD's knowledge of product information at the time a publication was made, but are not intended to constitute any warranty concerning the substitutability of an ANYLOAD product with one made by another manufacturer.

Any use of product outside of specifications or any storage or installation inconsistent with product guidance voids and warranty.

The information is intended for use only by customers who have the requisite experience and capability to determine the correct products for their application. Any technical advice inferred from this Information or otherwise provided by ANYLOAD with reference to the use of ANYLOAD's products produces no obligation or liability for the advice given or results obtained.

Although ANYLOAD designs and manufactures its products to the most stringent quality and safety standards, isolated component failures may still occur. Accordingly, customer applications which require a high degree of reliability or safety should employ suitable designs or other safeguards in order to ensure that the failure of an electrical component does not result in a risk of personal injury or property damage.

Unless specifically agreed to in writing, ANYLOAD has not tested or certified its products, services or deliverables for use in high risk applications including medical life support, medical device, direct physical patient contact, water treatment, nuclear facilities, weapon systems, mass and air transportation control, flammable environments, or any other potentially life critical uses. Customer understands and agrees that ANYLOAD makes no assurances that the products, services or deliverables are suitable for any high-risk uses. Under no circumstances does ANYLOAD warrant or guarantee suitability for any customer design or manufacturing process. Although all product - related warnings, cautions and notes must be observed, the customer should not assume that all safety measures are indicated or that other measures may not be required. Please contact authorized ANYLOAD personnel to obtain special terms and conditions regarding products designed for such applications or otherwise satisfy specific safety requirements.