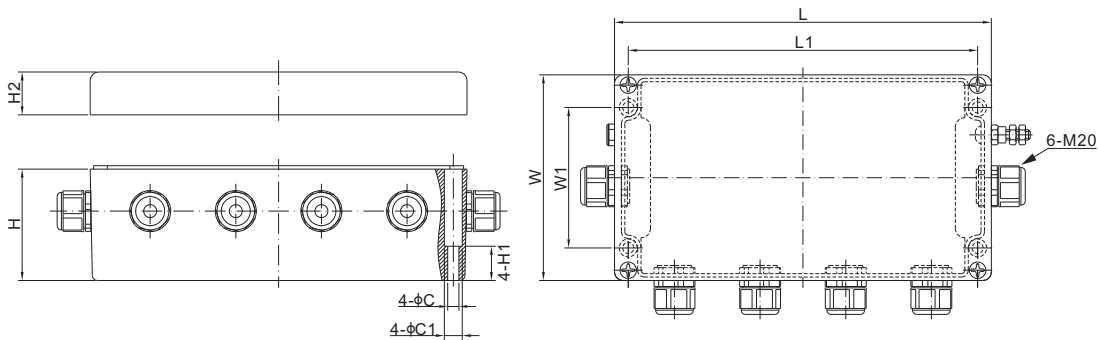


## Fiberglass Reinforced Polyester



### Features:

- Fiberglass reinforced polyester housing
- Quick removable load cell connectors
- Section and individual load cell trim pots
- Lightning/Over voltage protection
- Preinstalled GORE breather vent
- Conformal coated circuit board
- Number of load cells: 2-4 single cells
- Expansion port to/for additional J-Box
- IP rating: IP67



### DIMENSIONS

	C	C1	H	H1	H2	L	L1	W	W1
mm	6.5	10.5	65.0	20.0	25.5	220.0	204.0	120.0	82.0
inches	0.26	0.41	2.56	0.79	1.00	8.66	8.03	4.72	3.23

### SPECIFICATIONS

<b>Number of Cells</b>	2 -4 single cells	<b>Trimming</b>	Signal trim
<b>Input Cable Fittings</b>	M20: 6mm - 12mm diameter cable	<b>Enclosure Material</b>	Fiberglass Reinforced Polyester
<b>Output Cable Fittings</b>	M20: 6mm - 12mm diameter cable	<b>IP Rating</b>	IP67

### TRIMMING RANGE

Load Cell Resistance	Signal Trim
350 Ω	.....3.6% of output
700 Ω	.....6.3% of output
1000 Ω	.....8.0% of output

### PART NUMBER

Trimming	Section Trim	Lightning Protection	Part No.	Weight (kg) Approx.
Signal	.....Yes	.....Yes	J04SP-E-D2	.....1.5

### MOTHERBOARD LAYOUT

