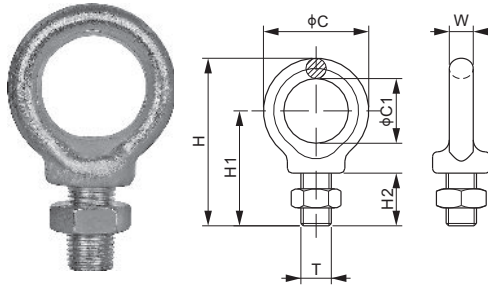


EYE



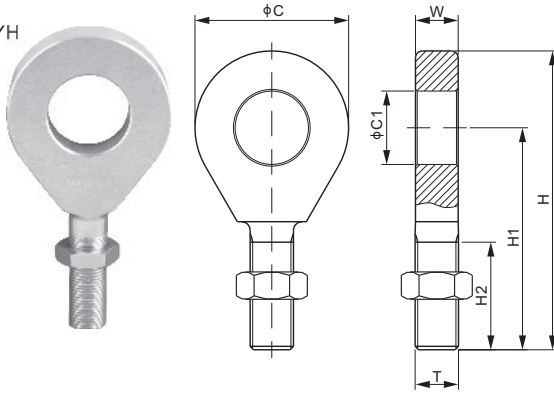
Features:

- Low carbon steel, casted, zinc plated
- One jam nut included

DIMENSIONS

| PART NUMBER | C | C1 | H | H1 | H2 | W | T | Safe Working Load | Self Weight Approx. (kg) |
|---------------|------|------|------|------|------|------|------------|-------------------|--------------------------|
| inches | | | | | | | | | |
| EYE-1/4 | 1.23 | 0.67 | 1.89 | 1.28 | 0.62 | 0.31 | 1/4-28 UNF | 0.7Klb | 0.1 |
| EYE-B-1/4 | 1.00 | 0.50 | 1.73 | 1.20 | 0.65 | 0.27 | 1/4-28 UNF | 0.65Klb | 0.02 |
| EYE-1/2 | 1.71 | 1.02 | 2.73 | 2.08 | 0.97 | 0.39 | 1/2-20 UNF | 1.3Klb | 0.1 |
| EYE-3/4 | 2.74 | 1.53 | 4.11 | 2.95 | 1.37 | 0.63 | 3/4-16 UNF | 5.5Klb | 0.4 |
| mm | | | | | | | | | |
| EYE-M12 | 43.5 | 26 | 69.5 | 53 | 24.5 | 11 | M12X1.75 | 0.6t | 0.1 |

EYH



Features:

- Medium carbon steel, forged, zinc plated
- One jam nut included

DIMENSIONS

| PART NUMBER | C | C1 | H | H1 | H2 | W | T | Safe Working Load | Self Weight Approx. (kg) |
|--------------------------|------|------|------|-------|------|------|--------------|-------------------|--------------------------|
| inches | | | | | | | | | |
| EYH-3/4 (discontinued) | 3.11 | 1.54 | 5.91 | 4.35 | 2.01 | 0.79 | 3/4-16 UNF | 11Klb | 0.8 |
| EYH-1 (discontinued) | 3.54 | 1.69 | 6.89 | 5.12 | 2.48 | 0.98 | 1-14 UNS | 16.5Klb | 1.4 |
| EYH-1-1/4 (discontinued) | 4.45 | 2.09 | 8.46 | 6.24 | 2.95 | 1.26 | 1-1/4-12 UNF | 22Klb | 2.7 |
| mm | | | | | | | | | |
| EYH-M16 | 79 | 39 | 150 | 110.5 | 51 | 20 | M16X2.0 | 2t | 0.8 |
| EYH-M18 | 79 | 39 | 150 | 110.5 | 51 | 20 | M18X1.5 | 4t | 0.8 |
| EYH-M24 | 90 | 43 | 175 | 130 | 63 | 25 | M24X2.0 | 7.5t | 1.4 |
| EYH-M30 | 113 | 53 | 215 | 158.5 | 75 | 32 | M30X2.0 | 10t | 2.7 |
| EYH-M36 | 124 | 62 | 238 | 176 | 90 | 40 | M36X2.0 | 18t | 3.7 |
| EYH-M42 | 176 | 88 | 316 | 228 | 105 | 48 | M42X2.0 | 25t | 3.8 |

VERTICAL LOAD

