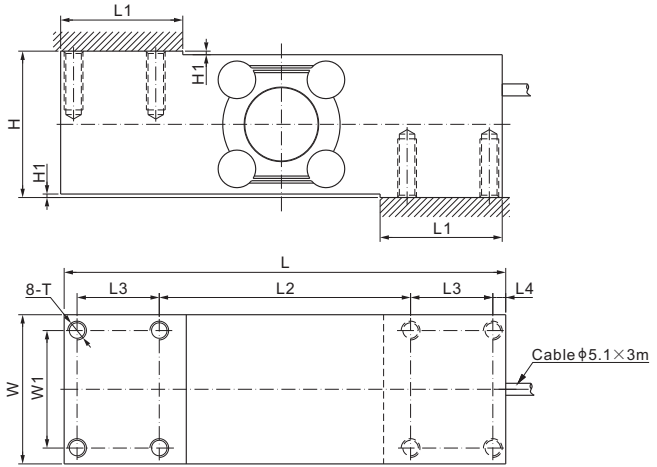


## 651KS55UN

### Stainless Steel



### DIMENSIONS

RATED CAPACITY	H	H1	L	L1	L2	L3	L4	W	W1	T
<b>kg/mm</b>										
50-500	62.3	1.5	188.0	52.0	107.0	35.0	5.5	63.5	50.0	5/16-18 UNC-2B Depth 20
<b>lb/inches</b> (conversion of above dimensions)										
110.23-1,102.31	2.45	0.06	7.40	2.04	4.21	1.38	0.22	2.50	1.97	5/16-18 UNC-2B Depth 0.79

### SPECIFICATIONS

<b>Full Scale Output</b>	2.0 mV/V ± 0.25%	<b>Recommended Excitation</b>	10V (15V Maximum)
<b>Zero Balance</b>	± 0.02 mV/V	<b>Reference Max. Platform Size</b>	610×700 mm
<b>Non-linearity</b>	< ± 0.03%	<b>Insulation Resistance</b>	>2 [ 50V DC ] GΩ
<b>Repeatability</b>	< ± 0.02%	<b>Compensated Temperature Range</b>	-10°C to 50°C / 14°F to 122°F
<b>Hysteresis Error</b>	< ± 0.03%	<b>Safe Overload</b>	150% of full scale
<b>Creep in 30 min.</b>	< ± 0.02%	<b>Breaking Overload</b>	300% of full scale
<b>Input Resistance</b>	1100Ω ± 50	<b>Seal Type / IP Rating</b>	Welded Seal / IP68
<b>Output Resistance</b>	960Ω ± 50	<b>Cable Color Code</b>	Exc+ Red    Exc- Black Sig+ Green    Sig- White    Shield Bare
<b>Element Material</b>	17-4PH Stainless Steel		

### PART NUMBER

Rated Capacity	Part No.	Weight (kg) Approx.
50kg.....	651KS55UN-50kg.....	4.7
75kg.....	651KS55UN-75kg.....	4.7
100kg.....	651KS55UN-100kg.....	4.7
150kg.....	651KS55UN-150kg.....	4.7
200kg.....	651KS55UN-200kg.....	4.7
250kg.....	651KS55UN-250kg.....	4.7
300kg.....	651KS55UN-300kg.....	4.7
500kg.....	651KS55UN-500kg.....	4.7

### INTERCHANGEABLE REFERENCE

Manufacturer	Model
Coti Global.....	CG-50-1*
HBM.....	PW16*
Rice Lake.....	RL1260*
Vishay Tedeia-Huntleigh.....	1260*

\* Coti CG-50-1, HBM PW16, Rice Lake RL1260, Vishay Tedeia-Huntleigh 1260 are of aluminum.

### AVAILABLE OPTION

■ aluminum version: 108MAUN

NTEP 1:5 000 Class III, Single Cell;

OIML MAA C5, Y=12 300;

SINGLE POINTS