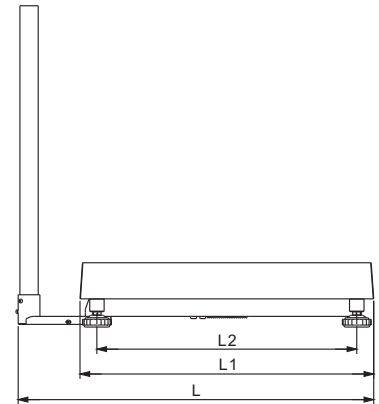
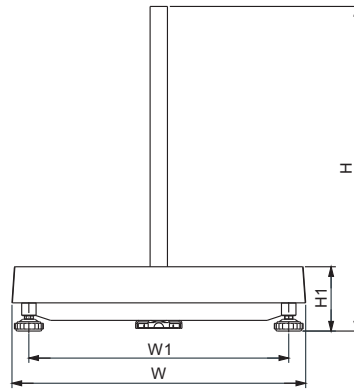
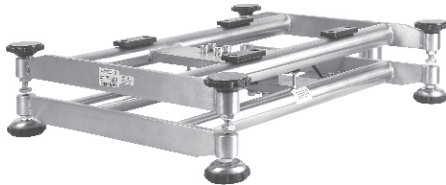


Bench Scale, 304 Stainless Steel



Indicator to be ordered separately.



Features:

- Heavy gage stainless steel pan
- Heavy gage stainless steel construction
- Level bubble
- Bracket, column and column holder included
- Overload capacity: 150% FS

| PART NUMBER | RATED CAPACITY | DIVISION | LOAD CELL CAPACITY | PLATFORM SIZE (inch/cm) | COLUMN LENGTH (inch/cm) | GROSS WEIGHT(kg/lb) |
|------------------|----------------|----------|--------------------|-------------------------|-------------------------|---------------------|
| TNS3030-15kg | 15kg | 5g | 108JA-20kg | 11.8 × 11.8 / 30 × 30 | 15.75 / 40 | 10.9/24.0 |
| TNS3030-30kg | 30kg | 10g | 108JA-50kg | 11.8 × 11.8 / 30 × 30 | 15.75 / 40 | 10.9/24.0 |
| TNS3030-60kg | 60kg | 20g | 108JA-75kg | 11.8 × 11.8 / 30 × 30 | 15.75 / 40 | 10.9/24.0 |
| TNS4050-60kg | 60kg | 20g | 108JA-75kg | 15.8 × 19.7 / 40 × 50 | 26 / 66 | 18.9/41.7 |
| TNS4050-60kg-LE | 60kg | 20g | 108JA-LE75kg | 15.8 × 19.7 / 40 × 50 | 26 / 66 | 18.9/41.7 |
| TNS4050-150kg-SE | 150kg | 50g | 108JA-SE200kg | 15.8 × 19.7 / 40 × 50 | 26 / 66 | 18.9/41.7 |
| TNS4050-300kg-SE | 300kg | 100g | 108JA-SE400kg | 15.8 × 19.7 / 40 × 50 | 26 / 66 | 18.9/41.7 |
| TNS4646-60kg | 60kg | 20g | 108JA-75kg | 18.1 × 18.1 / 46 × 46 | 26 / 66 | 24.6/54.2 |
| TNS4646-60kg-LE | 60kg | 20g | 108JA-LE75kg | 18.1 × 18.1 / 46 × 46 | 26 / 66 | 24.6/54.2 |
| TNS4646-150kg-SE | 150kg | 50g | 108JA-SE200kg | 18.1 × 18.1 / 46 × 46 | 26 / 66 | 24.6/54.2 |
| TNS4646-300kg-SE | 300kg | 100g | 108JA-SE400kg | 18.1 × 18.1 / 46 × 46 | 26 / 66 | 24.6/54.2 |
| TNS4660-60kg | 60kg | 20g | 108JA-75kg | 18.1 × 23.6 / 46 × 60 | 26 / 66 | 25.2/55.6 |
| TNS4660-60kg-LE | 60kg | 20g | 108JA-LE75kg | 18.1 × 23.6 / 46 × 60 | 26 / 66 | 25.2/55.6 |
| TNS4660-150kg-SE | 150kg | 50g | 108JA-SE200kg | 18.1 × 23.6 / 46 × 60 | 26 / 66 | 25.2/55.6 |
| TNS4660-300kg-SE | 300kg | 100g | 108JA-SE400kg | 18.1 × 23.6 / 46 × 60 | 26 / 66 | 25.2/55.6 |
| TNS6060-150kg-SE | 150kg | 50g | 108JA-SE200kg | 23.6 × 23.6 / 60 × 60 | 26 / 66 | 31.4/69.2 |
| TNS6060-300kg-SE | 300kg | 100g | 108JA-SE400kg | 23.6 × 23.6 / 60 × 60 | 26 / 66 | 31.4/69.2 |

DIMENSIONS(mm)

| PART NUMBER | L | L1 | L2 | H | H1 | W | W1 |
|------------------|-----|-----|-----|-----|-----|-----|-----|
| TNS3030-15kg | 439 | 310 | 240 | 407 | 112 | 310 | 240 |
| TNS3030-30kg | 439 | 310 | 240 | 407 | 112 | 310 | 240 |
| TNS3030-60kg | 439 | 310 | 240 | 407 | 112 | 310 | 240 |
| TNS4050-60kg | 639 | 510 | 440 | 665 | 110 | 410 | 340 |
| TNS4050-60kg-LE | 639 | 510 | 440 | 665 | 110 | 410 | 340 |
| TNS4050-150kg-SE | 639 | 510 | 440 | 665 | 110 | 410 | 340 |
| TNS4050-300kg-SE | 639 | 510 | 440 | 665 | 110 | 410 | 340 |
| TNS4646-60kg | 599 | 470 | 400 | 667 | 112 | 470 | 400 |
| TNS4646-60kg-LE | 599 | 470 | 400 | 667 | 112 | 470 | 400 |
| TNS4646-150kg-SE | 599 | 470 | 400 | 667 | 112 | 470 | 400 |
| TNS4646-300kg-SE | 599 | 470 | 400 | 667 | 112 | 470 | 400 |
| TNS4660-60kg | 739 | 610 | 540 | 686 | 140 | 470 | 400 |
| TNS4660-60kg-LE | 739 | 610 | 540 | 686 | 140 | 470 | 400 |
| TNS4660-150kg-SE | 739 | 610 | 540 | 686 | 140 | 470 | 400 |
| TNS4660-300kg-SE | 739 | 610 | 540 | 686 | 140 | 470 | 400 |
| TNS6060-150kg-SE | 739 | 610 | 540 | 667 | 134 | 610 | 540 |
| TNS6060-300kg-SE | 739 | 610 | 540 | 667 | 134 | 610 | 540 |

OPTIONAL ACCESSORIES

- Indicators (page 161/162)

www.anyload.com

© 2021 ANYLOAD V3 dimensions and specifications subject to change without notice

SCALE PLATFORMS & HARDWARE