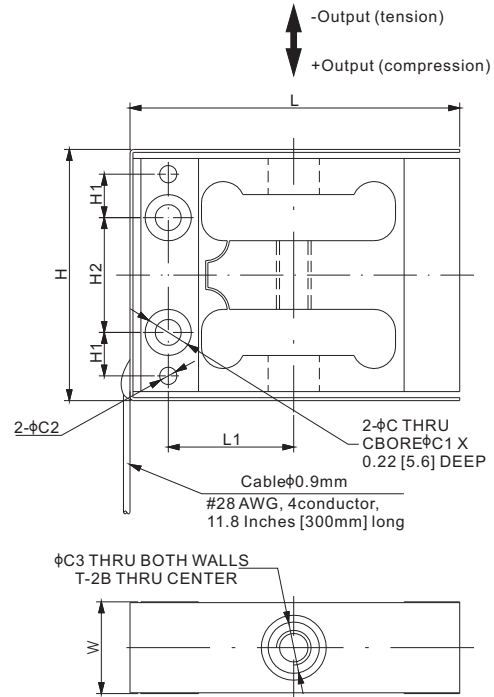


# 101AALS; 101ASLS



## Aluminum/Stainless Steel



### DIMENSIONS

RATED CAPACITY	C	C1	C2	C3	H	H1	H2	L	L1	T	W
<b>lb/inches</b>											
2.2-100	0.14	0.25	-	0.28	1.37	-	0.63	1.80	0.69	#10-32 UNF	0.50
200	0.14	0.25	0.09	0.28	1.37	0.22	0.63	1.80	0.69	#10-32 UNF	0.50
300-500	0.21	0.34	0.09	0.28	1.37	0.24	0.63	1.80	0.69	1/4-28 UNF	0.50
<b>kg/mm</b> (conversion of above dimensions)											
1.00-45.36	3.6	6.4	-	7.1	34.8	-	15.9	45.7	17.4	#10-32 UNF	12.7
90.72	3.6	6.4	2.4	7.1	34.8	5.5	15.9	45.7	17.4	#10-32 UNF	12.7
136.08-226.80	5.4	8.6	2.4	7.1	34.8	6.0	15.9	45.7	17.4	1/4-28 UNF	12.7

### SPECIFICATIONS

<b>Full Scale Output</b>	2.0 mV/V $\pm$ 20%	<b>Element Material</b>	Aluminum (2.2-100lb)
<b>Zero Balance</b>	$\pm$ 0.02 mV/V		17-4PH stainless steel (200-500lb)
<b>Non-linearity</b>	< $\pm$ 0.02% (2.2-100lb)	<b>Recommended Excitation</b>	10V (15V Maximum)
	< $\pm$ 0.06% (200-500lb)		<b>Insulation Resistance</b>
<b>Repeatability</b>	< $\pm$ 0.02%	<b>Nominal Temperature Range</b>	
<b>Hysteresis Error</b>	< $\pm$ 0.02% (2.2-100lb)		-10°C to 50°C / 14°F to 122°F
	< $\pm$ 0.06% (200-500lb)		(17-4PH stainless steel)
<b>Creep in 30 min.</b>	< $\pm$ 0.025%	<b>Seal Type / IP Rating</b>	IP30
<b>Input Resistance</b>	1050 $\Omega$ $\pm$ 15	<b>Cable Color Code</b>	Exc+ Green    Exc- Black
<b>Output Resistance</b>	1000 $\Omega$ $\pm$ 3		Sig+ White    Sig- Red

### PART NUMBER

Rated Capacity	Part No.	Weight (kg) Approx.
2.2lb.....	101AALS-2.2lb.....	0.1
5lb.....	101AALS-5lb.....	0.1
10lb.....	101AALS-10lb.....	0.1
25lb.....	101AALS-25lb.....	0.1
50lb.....	101AALS-50lb.....	0.1
100lb.....	101AALS-100lb.....	0.1
200lb.....	101ASLS-200lb.....	0.25
300lb.....	101ASLS-300lb.....	0.25
500lb.....	101ASLS-500lb.....	0.25

### CAPACITIES

ITEM #	lb	kg	Safe Overload(lb)
101AALS	2.2	1	100
	5	2.27	100
	10	4.54	100
	25	11.34	150
	50	22.68	150
	100	45.36	300
101ASLS	200	90.72	400
	300	136.08	600
	500	226.80	750