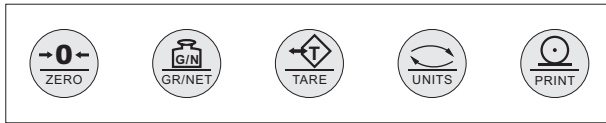


LED Industrial Weight Indicator



Keyboard Configuration



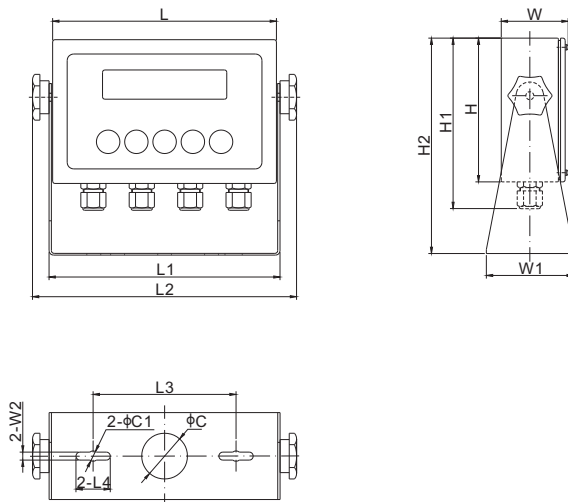
Features:

- 0.8", 6 digits, 7 segments, LED display
- Indication of up to four units of measurements: kg, lb, oz and g
- Indication of gross, net and tare
- Indication of stability and centre of zero
- Easy wiring screw terminals
- Weight, peak, set point, and piece counting
- Password protected calibration menu
- Physical and electronic sealing via audit trail function
- Two set point output relays
- Advance analogue, digital and average filtering
- Two independent RS232 serial communication ports
- One independent RS485 serial communication port
- Weather proof stainless steel enclosure, NEMA4X / IP66
- Breather vent to avoid condensation inside

Approvals:

- NTEP: Class III/IIIL 10,000d
- Measurement Canada: Class III / IIIHD 10,000d / 20,000d

Specifications	
Power Supply	UL approved internal, 100VAC to 240VAC, 50-60Hz
Power Consumption	120VAC @ 0.1A / 12VDC @ 0.5A (10W AC / 5W DC) typical
Excitation Voltage	5V DC ± 5%
Number of load cells	Up to 8x350Ω; 16x700Ω
Input Range	Up to 19mV/4mV/V
Sample Rate	80 samples/second
Resolution	1,000,000 internal count, with 24bits resolution
Division	legal for trade 10,000d/20,000d
Tare range	100% Full Scale NTEP/MC/OIML
Communicate interface	2 x RS-232C, 1 x RS-485
Output	2 x form C Relays
Working Humidity	20% RH to 90% RH
Working Temperature	-10°C to 50°C / 15°F to 120°F
Dimensions (W x H x D)	9.1" x 7.4" x 3.0" (231 x 188 x 76mm) base included



DIMENSIONS			
L	7.7in (196mm)	H	4.9in (125mm)
L1	8.0in (202mm)	H1	5.9in (149mm)
L2	9.1in (231mm)	H2	7.4in (188mm)
L3	4.9in (125mm)	C	1.6in (40mm)
L4	1.2in (30mm)	C1	0.4in (9mm)

PART NUMBER

Part No.	Power Supply	Weight (kg) Approx.
815TS-B-21E.....	Internal.....	2.3

INDICATORS & REMOTE DISPLAYS