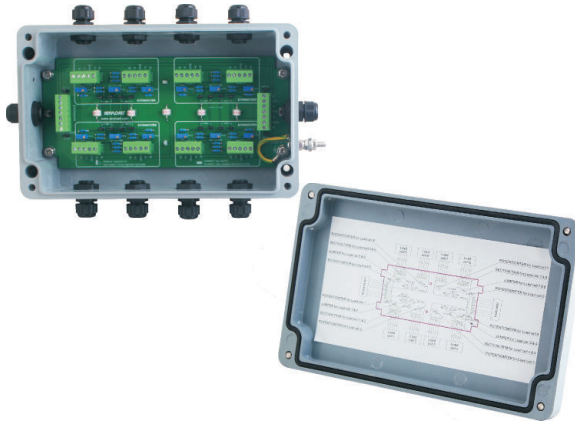


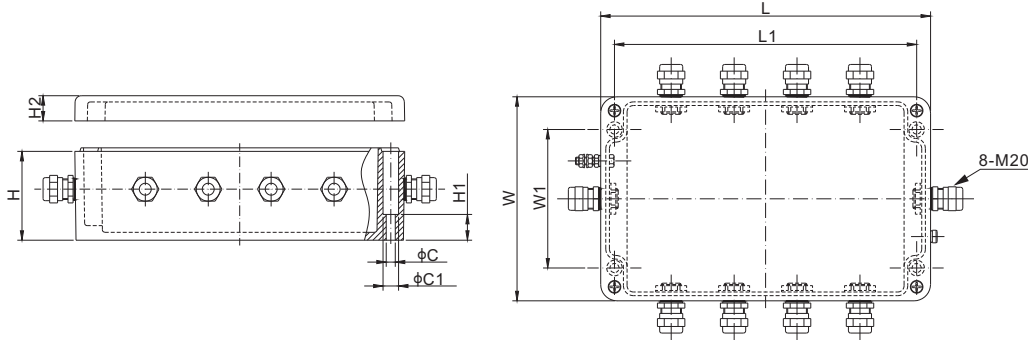
## Fiberglass Reinforced Polyester

JUNCTION BOXES



### Features:

- Fiberglass reinforced polyester housing
- Quick removable load cell connectors
- Switchable On/Off power per channel
- Section and individual load cell trim pots
- Lightning/Over voltage protection
- Preinstalled GORE breather vent
- Conformal coated circuit board
- Number of load cells: 2-8 single cells
- Expansion port to/for additional J-Box
- IP rating: IP67
- Load cell shielding remains separate from earth ground terminal
- Load cell shielding is ideally intended to run from the load cell, through the junction box, into to the indicator where the shielding is ultimately grounded via the instrumentation power ground



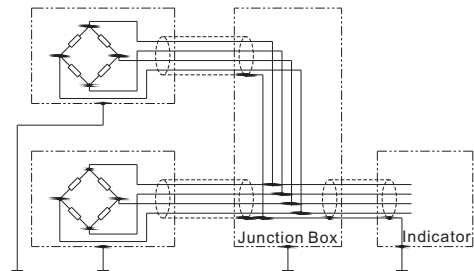
### DIMENSIONS

	C	C1	H	H1	H2	L	L1	W	W1
mm	7.2	12.3	70.5	20.5	20	262	240	162	110
inches	0.3	0.5	2.8	0.8	0.8	10.3	9.4	6.4	4.3

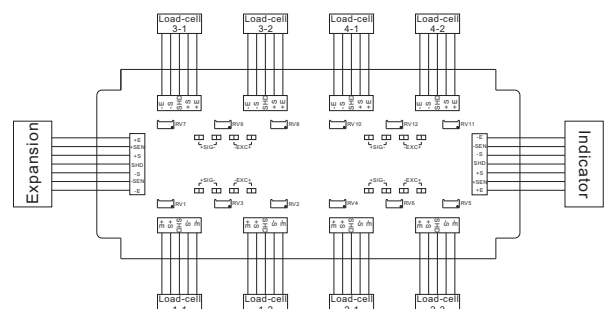
### SPECIFICATIONS

<b>Number of Cells</b>	2 - 8 single cells
<b>Input Cable Fittings</b>	M20: 6mm - 12mm diameter cable
<b>Output Cable Fittings</b>	M20: 6mm - 12mm diameter cable
<b>Trimming</b>	Section or individual cell trim, with signal trim
<b>Enclosure Material</b>	Fiberglass Reinforced Polyester
<b>IP Rating</b>	IP67

### SCHEMATIC DIAGRAM



### MOTHERBOARD LAYOUT



### TRIMMING RANGE

Load Cell Resistance	Signal Trim
350Ω	.....3.6% of output
700Ω	.....6.3% of output
1000Ω	.....7.0% of output

### PART NUMBER

Trimming	Section Trim	Lightning Protection	Part No.	Weight (kg) Approx.
Signal	.....Yes	.....Yes	.....J08SP-E-03B	.....2.5