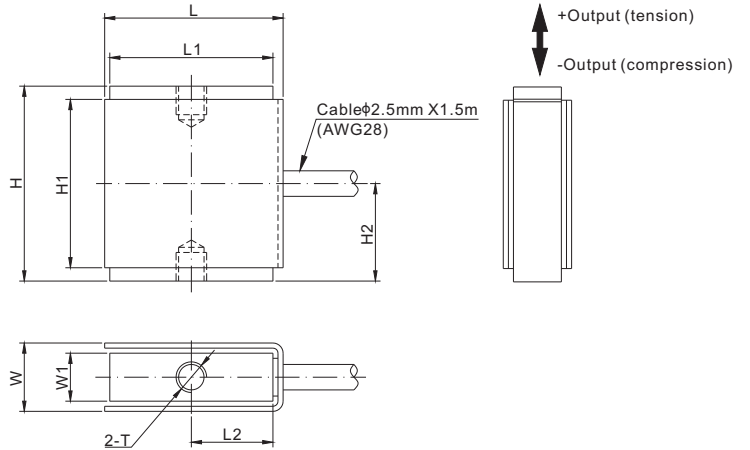
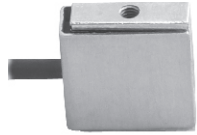


# 101RSLs

## Stainless Steel



### DIMENSIONS

RATED CAPACITY	H	H1	H2	L	L1	L2	W	W1	T
<b>lb/inches</b>									
1-100	0.75	0.65	0.38	0.69	0.63	0.31	0.26	0.19	M3 X 0.5 Depth 0.11
<b>G/mm</b>									
250	19.1	16.5	9.6	17.5	16.0	8.0	6.7	4.7	M3 X 0.5 Depth 2.8

### SPECIFICATIONS

<b>Full Scale Output</b>	1.0 mV/V $\pm$ 20% (250g); 2.0 mV/V $\pm$ 20% (1-100lb)	<b>Element Material</b>	17-4PH stainless steel
<b>Zero Balance</b>	$\pm$ 0.02 mV/V	<b>Recommended Excitation</b>	5V (10V Maximum)
<b>Non-linearity</b>	$<$ $\pm$ 0.1%	<b>Insulation Resistance</b>	$>$ 0.5 [ 50V DC ] G $\Omega$
<b>Repeatability</b>	$<$ $\pm$ 0.05%	<b>Nominal Temperature Range</b>	-10°C to 50°C / 14°F to 122°F
<b>Hysteresis Error</b>	$<$ $\pm$ 0.1%	<b>Safe Overload</b>	1000% of full scale (1-25lb); 200% of full scale (50-100lb) only tension
<b>Creep in 30 min.</b>	$<$ $\pm$ 0.1%	<b>Seal Type / IP Rating</b>	IP40
<b>Input Resistance</b>	350 $\Omega$ $\pm$ 10	<b>Cable Color Code</b>	Exc+ Red      Exc- Black Sig+ Green    Sig- White    Shield Bare
<b>Output Resistance</b>	350 $\Omega$ $\pm$ 5		

### PART NUMBER

Rated Capacity	Part No.	Weight (kg) Approx.
250g.....	101RSLs-250g.....	0.1
1lb.....	101RSLs-1lb.....	0.1
2lb.....	101RSLs-2lb.....	0.1
5lb.....	101RSLs-5lb.....	0.1
10lb.....	101RSLs-10lb.....	0.1
25lb.....	101RSLs-25lb.....	0.1
50lb.....	101RSLs-50lb.....	0.1
100lb.....	101RSLs-100lb.....	0.1

S-BEAMS