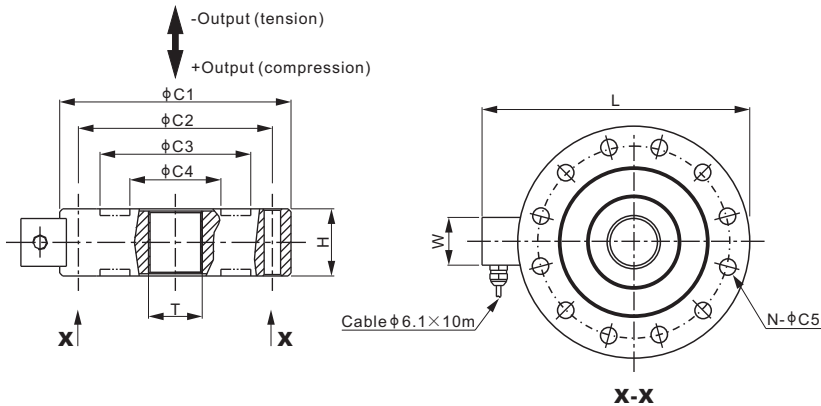
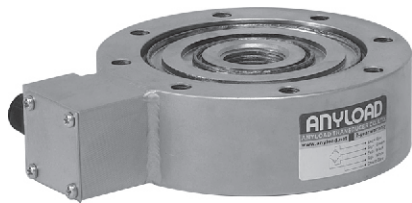


363YH



Alloy Steel



CE RoHS

Mounting hardware to be ordered separately.

DIMENSIONS

RATED CAPACITY	C1	C2	C3	C4	C5	N	H	L	W	T
t/mm										
1-5	113.0	97.0	81.0	37.0	7	8	35.0	145.4	32.0	M24X2
10; 20	155.0	130.0	106.0	56.0	11	12	45.0	189.0	32.0	M36X2
30	180.0	150.0	125.0	75.0	13	12	58.0	212.6	32.0	M42X2
50	205.0	165.0	125.0	75.0	13	16	64.0	237.9	32.0	M42X2
100	280.0	228.0	182.0	118.0	17	16	90.0	322.7	48.0	M70X3
150; 200	296.0	256.0	223.0	133.0	22	16	120.0	338.7	48.0	M90X3
300	346.0	282.0	242.0	174.0	26	16	180.0	388.6	48.0	M120X3

lb/inches (conversion of above dimensions)

2,204.6-11,023.1	4.45	3.82	3.19	1.46	0.28	8	1.38	5.72	1.26	M24X2
22,046.2; 44,092.5	6.10	5.12	4.17	2.20	0.43	12	1.77	7.44	1.26	M36X2
66,138.7	7.09	5.91	4.92	2.95	0.51	12	2.28	8.37	1.26	M42X2
110,231.1	8.07	6.50	4.92	2.95	0.51	16	2.52	9.37	1.26	M42X2
220,462.3	11.02	8.98	7.17	4.65	0.67	16	3.54	12.70	1.89	M70X3
330,693.4; 440,924.5	11.65	10.08	8.78	5.24	0.87	16	4.72	13.33	1.89	M90X3
661,386.8	13.62	11.10	9.53	6.85	1.02	16	7.09	15.30	1.89	M120X3

SPECIFICATIONS

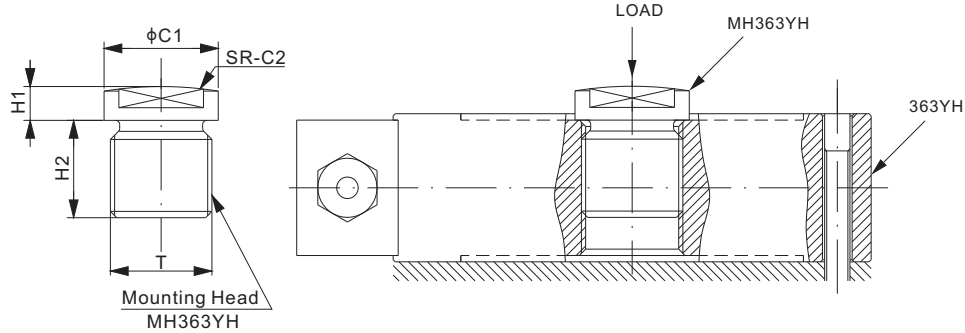
Full Scale Output	2.0 mV/V ± 1%	Recommended Excitation	10V (15V Maximum)
Zero Balance	< ± 0.02 mV/V	Insulation Resistance	> 2 [50V DC] GΩ
Non-linearity	Cap. ≤ 5t: < ± 0.050%; Cap. ≥ 10t: < ± 0.30%	Compensated Temperature Range	-10°C to 50°C / 14°F to 122°F
Repeatability	Cap. ≤ 5t: < ± 0.030%; Cap. ≥ 10t: < ± 0.20%	Safe Overload	150% of full scale
Hysteresis Error	Cap. ≤ 5t: < ± 0.050%; Cap. ≥ 10t: < ± 0.30%	Breaking Overload	300% of full scale
Creep in 30 min.	Cap. ≤ 5t: < ± 0.050%; Cap. ≥ 10t: < ± 0.10%	Seal Type / IP Rating	Welded Seal / IP67
Input Resistance	770Ω ± 30	Cable Color Code	Exc+ Red Exc- Black
Output Resistance	700Ω ± 5		Sig+ Green Sig- White
Element Material	Alloy Steel, Nickel Plated		Shield Bare

PART NUMBER

Rated Capacity	Part No.	Weight (kg) Approx.
1t	363YH-1t	2.8
2t	363YH-2t	2.8
3t	363YH-3t	2.8
5t	363YH-5t	2.8
10t	363YH-10t	5.5
20t	363YH-20t	5.5
30t	363YH-30t	12.4
50t	363YH-50t	16.8
100t	363YH-100t	40.6
150t	363YH-150t	51.0
200t	363YH-200t	51.0
300t	363YH-300t	97.2

CANISTERS & DISKS

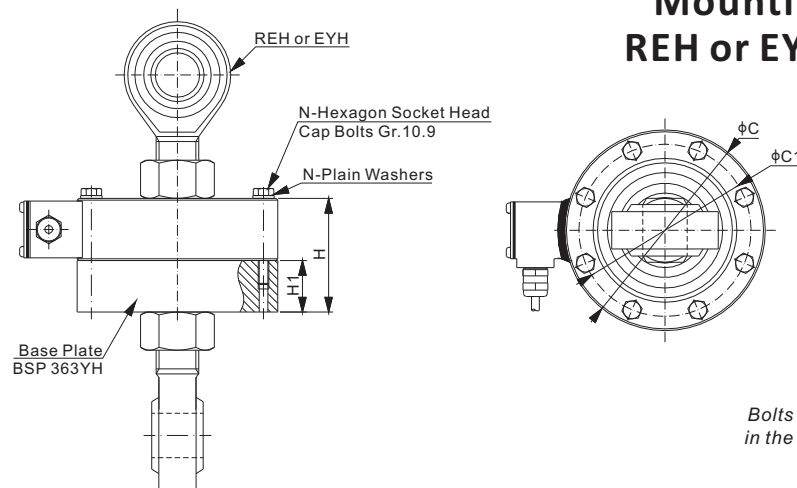
Mounting Variation 1, Alloy Steel MH363YH



DIMENSIONS

PART NUMBER	LOAD CELL CAPACITY	C1	C2	H1	H2	T	Weight (kg) Approx.
t/mm							
MH363YH-(1-5)t	1-5	27.0	85.0	8.0	25.0	M24X2	-
MH363YH-(10-20)t	10; 20	45.0	150.0	22.0	38.0	M36X2	-
MH363YH-30t	30	54.0	180.0	32.0	48.0	M42X2	0.97
MH363YH-50t	50	64.0	200.0	42.0	54.0	M42X2	-
MH363YH-100t	100	102.0	300.0	48.0	79.0	M70X3	-
MH363YH-(150-200)t	150; 200	136.0	300.0	60.0	79.0	M90X3	-
MH363YH-300t	300	160.0	500.0	80.0	90.0	M120X3	-
lb/inches (conversion of above dimensions)							
MH363YH-(1-5)t	2,204.6-11,023.1	1.06	3.35	0.31	0.98	M24X2	-
MH363YH-(10-20)t	22,046.2; 44,092.5	1.77	5.91	0.87	1.50	M36X2	-
MH363YH-30t	66,138.7	2.13	7.09	1.26	1.89	M42X2	0.97
MH363YH-50t	110,231.1	2.52	7.87	1.65	2.13	M42X2	-
MH363YH-100t	220,462.3	4.02	11.81	1.89	3.11	M70X3	-
MH363YH-(150-200)t	330,693.4; 440,924.5	5.35	11.81	2.36	3.11	M90X3	-
MH363YH-300t	661,386.8	6.30	19.69	3.15	3.54	M120X3	-

Mounting Variation 2 REH or EYH+ BSP363YH



Bolts & plain washers are included in the set of Base Plate BSP363YH

DIMENSIONS

PART NUMBER	LOAD CELL CAPACITY	C	C1	H	H1	N	Matching Bolts	Matching REH or EYH	Weight (kg) Approx.
t/mm									
BSP363YH-(1-5)t	1-5	113.0	97.0	64.0	29.0	8	M6X50	REH-M24	-
BSP363YH-(10-20)t	10; 20	155.0	130.0	90.0	45.0	12	M10X60	EYH-M36	-
lb/inches (conversion of above dimensions)									
BSP363YH-(1-5)t	2,204.6-11,023.1	4.45	3.82	2.52	1.14	8	M6X50	REH-M24	-
BSP363YH-(10-20)t	22,046.2; 44,092.5	6.10	5.12	3.54	1.77	12	M10X60	EYH-M36	-