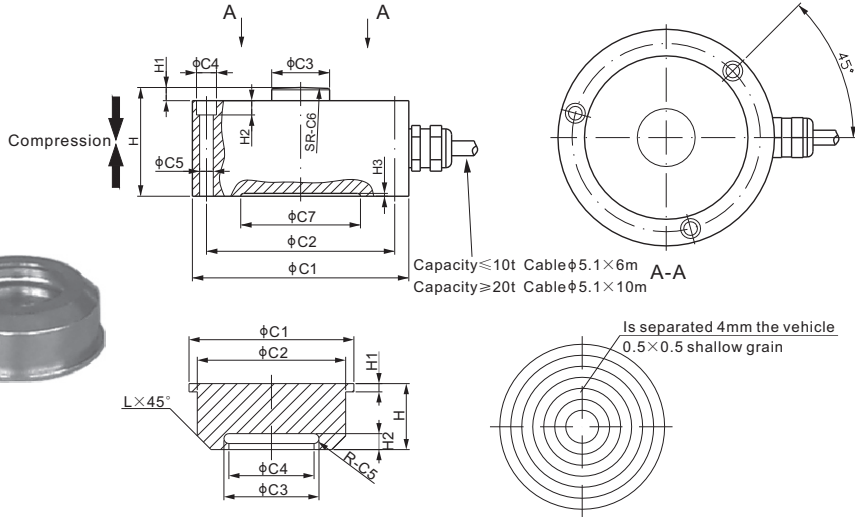


Alloy Steel, Patent Design, Mounting Hardware For 276EH Load Cell
F266-1



CE RoHS

Mounting hardware included.

DIMENSIONS

| RATED CAPACITY | C1 | C2 | C3 | C4 | C5 | C6 | C7 | H | H1 | H2 | H3 |
|---|-----------|-----------|-----------|-----------|-----------|----------|-----------|-----------|----------|----------------------------|------|
| t/mm | | | | | | | | | | | |
| 5 | 60.0 | 52.0 | 9.5 | 6.0 | 3.2 | 30.0 | 42.0 | 24.0 | 4.0 | 3.0 | 0.8 |
| 10 | 63.6 | 55.0 | 13.5 | 7.2 | 4.2 | 100.0 | 44.0 | 26.0 | 4.0 | 5.0 | 0.8 |
| 25 | 75.9 | 66.0 | 20.3 | 7.0 | 4.8 | 150.0 | 54.0 | 38.1 | 4.6 | 5.0 | 1.0 |
| 50 | 105.0 | 90.0 | 30.0 | 11.0 | 6.5 | 250.0 | 76.0 | 53.0 | 7.0 | 7.0 | 1.0 |
| 100 | 123.0 | 98.0 | 43.0 | 15.0 | 10.5 | 380.0 | 74.0 | 95.0 | 15.0 | 12.0 | 1.0 |
| lb/inches (conversion of above dimensions) | | | | | | | | | | | |
| 11,023.1 | 2.36 | 2.05 | 0.37 | 0.24 | 0.13 | 1.18 | 1.65 | 0.94 | 0.16 | 0.11 | 0.03 |
| 22,046.2 | 2.50 | 2.17 | 0.53 | 0.28 | 0.17 | 3.94 | 1.73 | 1.02 | 0.16 | 0.20 | 0.03 |
| 55,115.6 | 2.99 | 2.60 | 0.80 | 0.28 | 0.19 | 5.91 | 2.13 | 1.50 | 0.18 | 0.20 | 0.04 |
| 110,231.1 | 4.13 | 3.54 | 1.18 | 0.43 | 0.28 | 9.84 | 2.99 | 2.09 | 0.28 | 0.28 | 0.04 |
| 220,462.3 | 4.84 | 3.86 | 1.69 | 0.59 | 0.41 | 14.96 | 2.92 | 3.74 | 0.59 | 0.47 | 0.04 |
| PART NUMBER | | | | | | | | | | | |
| LOAD CELL CAPACITY | C1 | C2 | C3 | C4 | C5 | H | H1 | H2 | L | Weight (kg) Approx. | |
| t/mm | | | | | | | | | | | |
| F266-1A | 5 | 33.0 | 27.0 | 12.0 | 10.0 | 1.0 | 13.0 | 3.0 | 2.9 | 3.0 | 0.06 |
| F266-1B | 10 | 41.0 | 35.0 | 16.0 | 14.0 | 1.0 | 16.0 | 3.0 | 2.9 | 4.0 | 0.12 |
| F266-1C | 25 | 49.0 | 43.0 | 23.8 | 21.0 | 1.4 | 19.0 | 3.0 | 3.9 | 5.0 | 0.20 |
| F266-1E | 50 | 72.0 | 66.0 | 34.6 | 31.0 | 1.8 | 36.0 | 3.0 | 5.7 | 5.0 | - |
| F266-1F | 100 | 80.0 | 74.0 | 55.0 | 45.0 | 5.0 | 50.0 | 3.0 | 12.4 | 7.0 | - |
| lb/inches (conversion of above dimensions) | | | | | | | | | | | |
| F266-1A | 11,023.1 | 1.30 | 1.06 | 0.47 | 0.39 | 0.04 | 0.51 | 0.12 | 0.11 | 0.12 | 0.06 |
| F266-1B | 22,046.2 | 1.61 | 1.38 | 0.63 | 0.55 | 0.04 | 0.63 | 0.12 | 0.11 | 0.16 | 0.12 |
| F266-1C | 55,115.6 | 1.93 | 1.69 | 0.94 | 0.83 | 0.06 | 0.75 | 0.12 | 0.15 | 0.20 | 0.20 |
| F266-1E | 110,231.1 | 2.83 | 2.60 | 1.36 | 1.22 | 0.07 | 1.42 | 0.12 | 0.22 | 0.20 | - |
| F266-1F | 220,462.3 | 3.15 | 2.91 | 2.17 | 1.77 | 0.20 | 1.97 | 0.12 | 0.49 | 0.28 | - |

SPECIFICATIONS

| | | | |
|--------------------------|---|--------------------------------------|---|
| Full Scale Output | 2.5 mV/V ± 10% | Recommended Excitation | 10V (15V Maximum) |
| Zero Balance | ± 0.02 mV/V | Insulation Resistance | >2 [50V DC] GΩ |
| Non-linearity | Cap. ≤ 50t: < ± 0.32%; Cap. ≥ 100t: < ± 1% | Compensated Temperature Range | -10°C to 50°C / 14°F to 122°F |
| Repeatability | Cap. ≤ 50t: < ± 0.050%; Cap. ≥ 100t: < ± 0.2% | Safe Overload | 150% of full scale |
| Hysteresis Error | Cap. ≤ 50t: < ± 0.32%; Cap. ≥ 100t: < ± 2% | Breaking Overload | 300% of full scale |
| Creep in 30 min. | Cap. ≤ 50t: < ± 0.10%; Cap. ≥ 100t: < ± 0.1% | Seal Type / IP Rating | Environmentally Sealed / IP67 |
| Input Resistance | 400Ω ± 20 | Cable Color Code | Exc+ Red Exc- Black Sig+ Green Sig- White Shield Bare |
| Output Resistance | 350Ω ± 3 | | |
| Element Material | Alloy Steel, Nickel Plated | | |

PART NUMBER

| Rated Capacity | Part No. | Weight (kg) Approx. |
|----------------|------------|---------------------|
| 5t | 276EH-5t | 0.6 |
| 10t | 276EH-10t | 0.9 |
| 25t | 276EH-25t | 1.8 |
| 50t | 276EH-50t | 4.2 |
| 100t | 276EH-100t | 8.7 |

WEIGH MODULE

| Model | Page |
|---------|------|
| 276EHM1 | 139 |