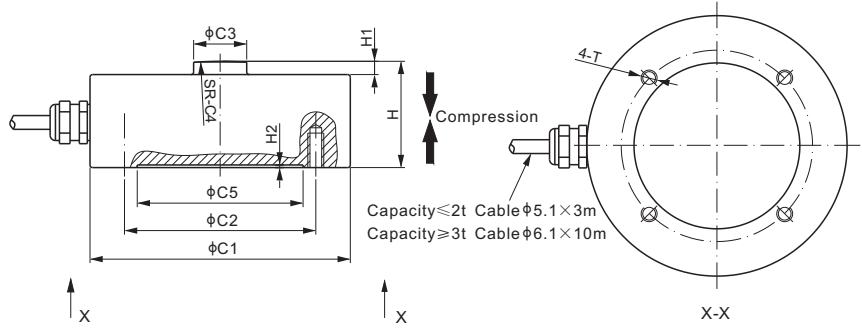


## Aluminum / Alloy Steel; Patent Design



CE RoHS

Mounting hardware to be ordered separately.

### DIMENSIONS

RATED CAPACITY	C1	C2	C3	C4	C5	H	H1	H2	T
<b>266AA</b>									
<b>kg/mm</b>									
25-50	62.0	55.0	12.0	50.0	36.0	22.0	4.0	1.0	M5 Depth7.0
<b>lb/inches</b> (conversion of above dimensions)									
55.12-110.23	2.44	2.17	0.47	1.97	1.42	0.87	0.16	0.04	M5 Depth0.28
<b>266AH</b>									
<b>kg/mm</b>									
100-2,000	62.0	55.0	12.0	50.0	36.0	22.0	4.0	1.0	M5 Depth7.0
3,000-5,000	98.0	72.0	20.0	150.0	62.4	40.0	5.0	1.0	M6 Depth13.0
10,000	98.0	72.0	20.0	150.0	62.4	45.0	5.0	1.0	M6 Depth13.0
20,000	118.0	90.0	20.0	250.0	62.4	50.0	5.0	1.0	M8 Depth15.0
30,000	138.0	115.0	20.0	250.0	62.4	73.0	8.0	1.0	M10 Depth15.0
<b>lb/inches</b> (conversion of above dimensions)									
220.5-4,409.2	2.44	2.17	0.47	1.97	1.42	0.87	0.16	0.04	M5 Depth0.28
6,613.9-11,023.1	3.86	2.83	0.79	5.91	2.46	1.57	0.20	0.04	M6 Depth 0.51
22,046.2	3.86	2.83	0.79	5.91	2.46	1.77	0.20	0.04	M6 Depth0.51
44,092.5	4.65	3.54	0.79	9.84	2.46	1.97	0.20	0.04	M8 Depth0.59
66,138.7	5.43	4.53	0.79	9.84	2.46	2.87	0.31	0.04	M10 Depth0.59

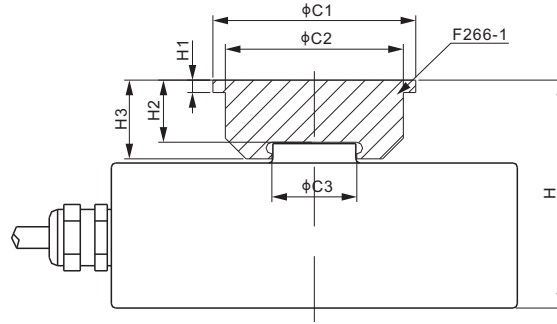
### SPECIFICATIONS

<b>Full Scale Output</b>	2.0 mV/V ± 1%	<b>Recommended Excitation</b>	10V (15V Maximum)
<b>Zero Balance</b>	< ± 0.04 mV/V	<b>Insulation Resistance</b>	> 2 [ 50V DC ] GΩ
<b>Non-linearity</b>	Cap. ≤ 2t: < ± 0.2%; Cap. ≥ 3t: < ± 0.05%	<b>Compensated Temperature Range</b>	-10°C to 50°C / 14°F to 122°F
<b>Repeatability</b>	Cap. ≤ 2t: < ± 0.03%; Cap. ≥ 3t: < ± 0.03%	<b>Safe Overload</b>	150% of full scale
<b>Hysteresis Error</b>	Cap. ≤ 2t: < ± 0.1%; Cap. ≥ 3t: < ± 0.05%	<b>Breaking Overload</b>	300% of full scale
<b>Creep in 30 min.</b>	Cap. ≤ 2t: < ± 0.1%; Cap. ≥ 3t: < ± 0.05%	<b>Seal Type / IP Rating</b>	266AA: Environmentally Sealed / IP66 266AH: Welded Seal / IP67
<b>Input Resistance</b>	Cap. ≤ 2t: 400Ω ± 20; Cap. ≥ 3t: 770Ω ± 30	<b>Cable Color Code</b>	Exc+ Red    Exc- Black Sig+ Green    Sig- White    Shield Bare
<b>Output Resistance</b>	Cap. ≤ 2t: 350Ω ± 3; Cap. ≥ 3t: 700Ω ± 5		
<b>Element Material</b>	Aluminum / Alloy Steel, Nickel Plated		

### PART NUMBER

Rated Capacity	Part No.	Weight (kg) Approx.
25kg.....	266AA-25kg.....	0.3
50kg.....	266AA-50kg.....	0.3
100kg.....	266AH-100kg.....	0.5
200kg.....	266AH-200kg.....	0.5
300kg.....	266AH-300kg.....	0.5
500kg.....	266AH-500kg.....	0.5
1t.....	266AH-1t.....	0.5
2t.....	266AH-2t.....	0.5
3t.....	266AH-3t.....	2.4
5t.....	266AH-5t.....	2.4
10t.....	266AH-10t.....	2.4
20t.....	266AH-20t.....	4.2
30t.....	266AH-30t.....	8.3

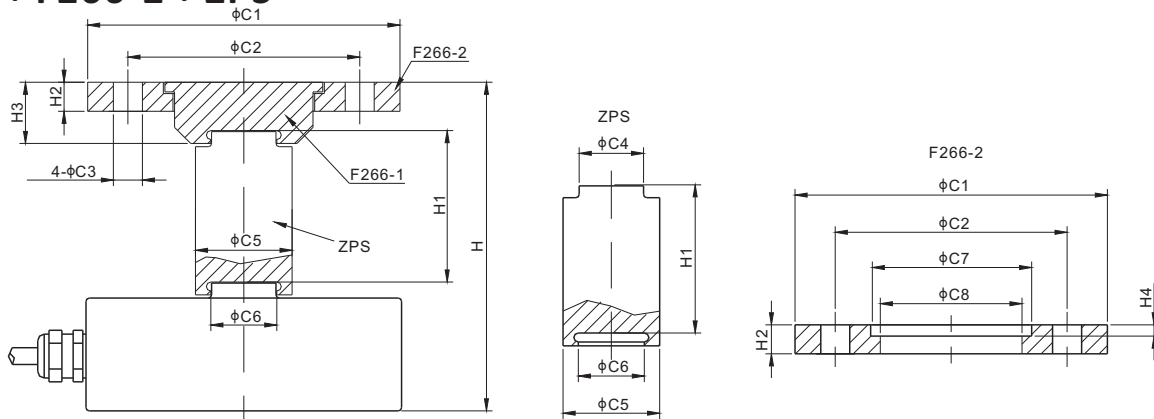
## Mounting Variation 1, Alloy Steel F266-1



### DIMENSIONS

PART NUMBER	LOAD CELL CAPACITY	C1	C2	C3	H	H1	H2	H3	Weight (kg) Approx.
<b>kg/mm</b>									
F266-1B	25-2,000	41.0	35.0	13.8	35.1	3.0	13.1	16.0	0.12
F266-1C	3,000-5,000	49.0	43.0	20.5	55.1	3.0	15.1	19.0	0.20
F266-1C	10,000	49.0	43.0	20.5	60.1	3.0	15.1	19.0	0.20
F266-1D	20,000	60.0	54.0	21.0	70.1	3.0	20.1	24.0	0.41
F266-1D	30,000	60.0	54.0	20.5	93.1	3.0	20.1	24.0	0.41
<b>lb/inches (conversion of above dimensions)</b>									
F266-1B	55.1-4,409.2	1.61	1.38	0.54	1.38	0.12	0.52	0.63	0.12
F266-1C	6,613.9-11,023.1	1.93	1.69	0.81	2.17	0.12	0.59	0.75	0.20
F266-1C	22,046.2	1.93	1.69	0.81	2.37	0.12	0.59	0.75	0.20
F266-1D	44,092.5	2.36	2.13	0.83	2.76	0.12	0.79	0.95	0.41
F266-1D	66,138.7	2.36	2.13	0.81	3.67	0.12	0.79	0.95	0.41

## Mounting Variation 2 F266-1 + F266-2 + ZPS



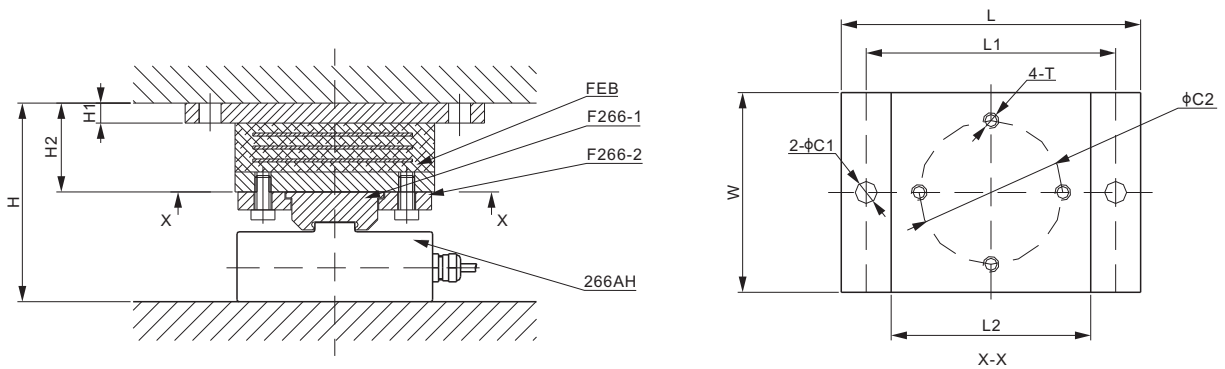
### DIMENSIONS

LOAD CELL CAPACITY	C1	C2	C3	C4	C5	C6	C7	C8	H	H1	H2	H3	H4
<b>kg/mm</b>													
25-2,000	81.0	60.0	7.0	13.0	26.0	12.5	42.0	36.0	81.1	46.0	7.0	16.0	3.5
3,000-5,000	97.0	72.0	11.0	20.0	32.0	20.5	50.0	44.0	111.1	56.0	9.0	19.0	3.5
10,000	97.0	72.0	11.0	20.0	32.0	20.5	50.0	44.0	116.1	56.0	9.0	19.0	3.5
20,000	115.0	90.0	13.0	20.0	36.0	20.5	61.0	55.0	134.6	64.5	10.0	24.0	3.5
30,000	115.0	90.0	13.0	20.0	36.0	20.5	61.0	55.0	157.6	64.5	10.0	24.0	3.5
<b>lb/inches (conversion of above dimensions)</b>													
55.1-4,409.2	3.19	2.36	0.28	0.51	1.02	0.49	1.65	1.42	3.19	1.81	0.28	0.63	0.14
6,613.9-11,023.1	3.82	2.83	0.43	0.79	1.26	0.81	1.97	1.73	4.37	2.20	0.35	0.75	0.14
22,046.2	3.82	2.83	0.43	0.79	1.26	0.81	1.97	1.73	4.57	2.20	0.35	0.75	0.14
44,092.5	4.53	3.54	0.51	0.79	1.42	0.81	2.40	2.17	5.30	2.54	0.39	0.95	0.14
66,138.7	4.53	3.54	0.51	0.79	1.42	0.81	2.40	2.17	6.21	2.54	0.39	0.95	0.14

### PART NUMBER

Load Cell Capacity	F266-1 Part No.	F266-2 Part No.	ZPS Part No.
25kg-2t.....	F266-1B.....	F266-2B.....	ZPS-B
3t; 5t; 10t.....	F266-1C.....	F266-2C.....	ZPS-C
20t; 30t.....	F266-1D.....	F266-2D.....	ZPS-D

### Mounting Variation 3 F266-1 + F266-2 + FEB



#### DIMENSIONS

LOAD CELL CAPACITY	C1	C2	H	H1	H2	L	L1	L2	W	T
<b>kg/mm</b>										
25-2,000	9.0	60.0	81.0	8.0	46.0	150.0	125.0	100.0	90.0	M8
3,000-5,000	11.0	72.0	99.6	10.0	44.5	180.0	150.0	120.0	120.0	M10
10,000	11.0	72.0	104.6	10.0	44.5	180.0	150.0	120.0	120.0	M10
20,000	13.0	90.0	120.1	12.0	50.0	270.0	240.0	200.0	200.0	M12
30,000	13.0	90.0	143.1	12.0	50.0	270.0	240.0	200.0	200.0	M12
<b>lb/inches</b> (conversion of above dimensions)										
55.1-4,409.2	0.35	2.36	3.19	0.31	1.81	5.91	4.93	3.94	3.55	M8
6,613.9-11,023.1	0.43	2.84	3.92	0.39	1.75	7.09	5.91	4.73	4.73	M10
22,046.2	0.43	2.84	4.12	0.39	1.75	7.09	5.91	4.73	4.73	M10
44,092.5	0.51	3.55	4.73	0.47	1.97	10.64	9.46	7.88	7.88	M12
66,138.7	0.51	3.55	5.64	0.47	1.97	10.64	9.46	7.88	7.88	M12

#### PART NUMBER

Load Cell Capacity	F266-1* Part No.	F266-2* Part No.
25kg-2t.....	F266-1B.....	F266-2B
3t; 5t; 10t.....	F266-1C.....	F266-2C
20t; 30t.....	F266-1D.....	F266-2D

#### PART NUMBER

Load Cell Capacity	FEB * Part No.	Weight (kg) Approx.
25kg-2t.....	FEB-B.....	2.3
3t; 5t; 10t.....	FEB-C.....	-
20t; 30t.....	FEB-D.....	-

\* Neither F266-1 nor F266-2 includes the bolts, the bolts need to be ordered separately. FEB includes 4 bolts that match the hole size (T on the drawing).