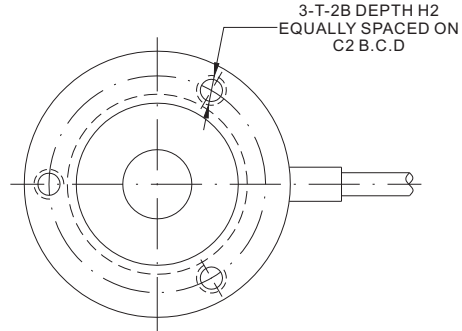
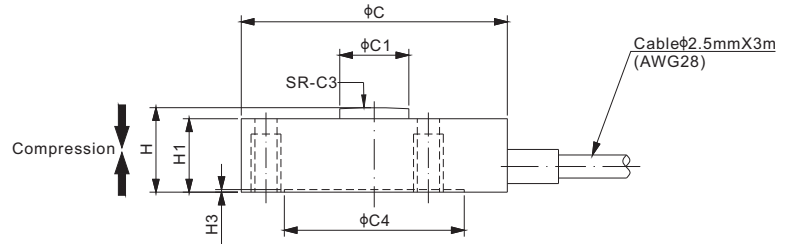


# 247ASLL



## Stainless Steel



CE RoHS

### DIMENSIONS

RATED CAPACITY	C	C1	C2	C3	C4	H	H1	H2	H3	T
<b>Klb/inches</b>										
5-10	1.48	0.43	1.25	3.00	1.08	0.63	0.55	0.25	0.03	#6-32 UNC
<b>kg/mm</b> (conversion of above dimensions)										
2,267.96-4,535.92	37.6	10.9	31.8	76.2	27.4	16.0	14.0	6.40	0.70	#6-32 UNC

### SPECIFICATIONS

<b>Full Scale Output</b>	2.0 mV/V ± 20%	<b>Element Material</b>	17-4PH Stainless Steel
<b>Zero Balance</b>	± 0.02 mV/V	<b>Recommended Excitation</b>	10V (15V Maximum)
<b>Non-linearity</b>	Cap.=5Klb: ≤ ± 0.25%;	<b>Insulation Resistance</b>	>0.5 [ 50V DC ] GΩ
	Cap.=10Klb: ≤ ± 0.50%	<b>Nominal Temperature Range</b>	-10°C to 50°C / 14°F to 122°F
<b>Repeatability</b>	≤ ± 0.10%	<b>Safe Overload</b>	150% of full scale
<b>Hysteresis Error</b>	Cap.=5Klb: ≤ ± 0.25%;	<b>Breaking Overload</b>	300% of full scale
	Cap.=10Klb: ≤ ± 0.50%	<b>Seal Type / IP Rating</b>	IP64
<b>Creep in 30 min.</b>	< ± 0.1%	<b>Cable Color Code</b>	Exc+ Red    Exc- Black Sig+ Green    Sig- White Shield Bare
<b>Input Resistance</b>	700Ω ± 25		
<b>Output Resistance</b>	700Ω ± 3		

### PART NUMBER

Rated Capacity	Part No.	Weight (kg) Approx.
5Klb.....	247ASLL-5Klb.....	0.4
10Klb.....	247ASLL-10Klb.....	0.4

LOAD BUTTONS