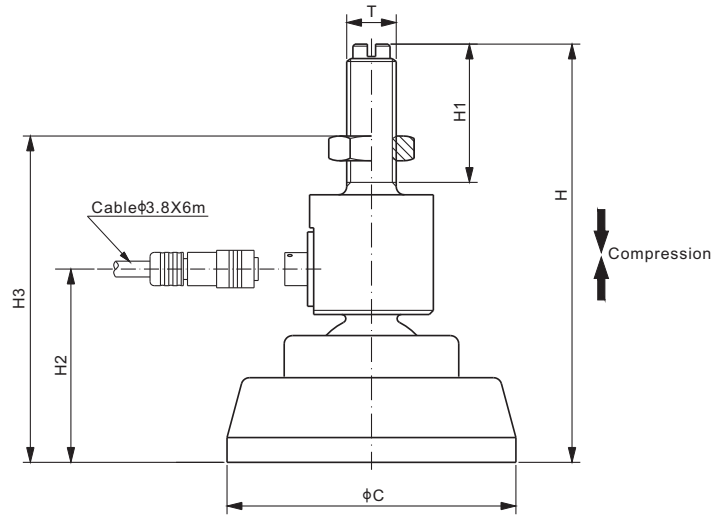


# 106MH



Alloy Steel



CE RoHS

### DIMENSIONS

RATED CAPACITY	C	H	H1	H2	H3	T
<b>kg/mm</b>						
500-1,000	70.0	101.3	33.5	46.8	74.0-97.0	M12×1.75
2,000	70.0	117.8	50.0	46.8	76.0-114.0	M16×2.00
<b>Klb/inches</b>						
1-2.5	2.76	3.99	1.32	1.84	2.91-3.82	1/2-20 UNF
5	2.76	4.64	1.97	1.84	2.99-4.49	3/4-16 UNF

### SPECIFICATIONS

<b>Full Scale Output</b>	2.0 ± 0.25% mV/V	<b>Recommended Excitation</b>	10V (15V Maximum)
<b>Zero Balance</b>	± 0.02 mV/V	<b>Insulation Resistance</b>	> 2 [ 50V DC ] GΩ
<b>Non-linearity</b>	< ± 0.050%	<b>Compensated Temperature Range</b>	-10°C to 50°C / 14°F to 122°F
<b>Repeatability</b>	< ± 0.030%	<b>Safe Overload</b>	150% of full scale
<b>Hysteresis Error</b>	< ± 0.050%	<b>Breaking Overload</b>	300% of full scale
<b>Creep in 30 min.</b>	< ± 0.030%	<b>Seal Type / IP Rating</b>	Welded Seal / IP67
<b>Input Resistance</b>	380Ω ± 20	<b>Cable Color Code</b>	Exc+ Red      Exc- Black
<b>Output Resistance</b>	350Ω ± 3		Sig+ Green     Sig- White
<b>Element Material</b>	Alloy Steel		Shield Bare

### PART NUMBER

Rated Capacity	Part No.	Shipping Weight (kg) Approx.
500kg.....	106MH-500kg.....	0.8
1t.....	106MH-1t.....	0.8
2t.....	106MH-2t.....	0.8
1Klb.....	106MH-1Klb.....	0.8
2.5Klb.....	106MH-2.5Klb.....	0.8
5Klb.....	106MH-5Klb.....	-