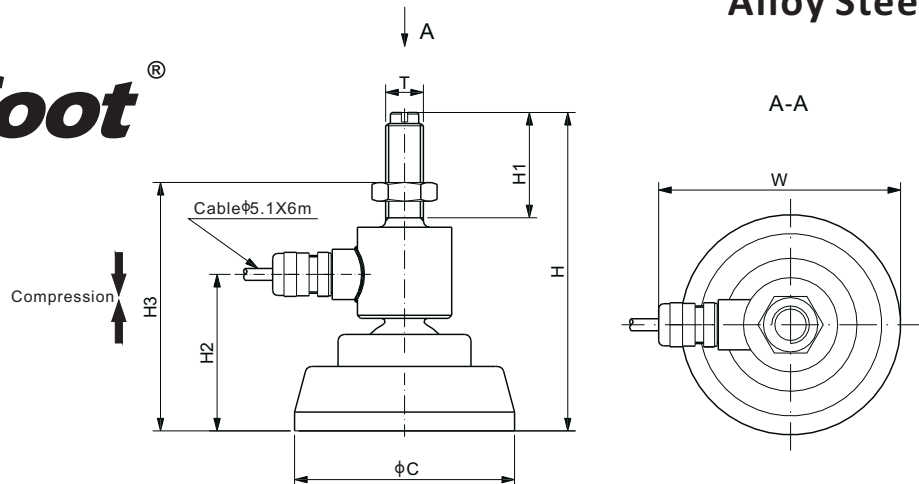




CE RoHS



### DIMENSIONS

RATED CAPACITY	C	H	H1	H2	H3	W	T
<b>t/mm</b>							
0.5-1	70.0	101.3	33.5	51.8	76.0-99.0	77.0	M12
2	70.0	119.8	50.0	51.8	78.0-116.0	77.0	M16
<b>Klb/inches</b>							
1-2.5	2.76	3.99	1.32	1.96	2.99-3.90	3.03	1/2-20 UNF

### SPECIFICATIONS

<b>Full Scale Output</b>	2.0 mV/V ± 0.25%	<b>Recommended Excitation</b>	10V (15V Maximum)
<b>Zero Balance</b>	± 0.04 mV/V	<b>Insulation Resistance</b>	>2 [ 50V DC ] GΩ
<b>Non-linearity</b>	< ± 0.050%	<b>Compensated Temperature Range</b>	-10°C to 50°C / 14°F to 122°F
<b>Repeatability</b>	< ± 0.030%	<b>Safe Overload</b>	150% of full scale
<b>Hysteresis Error</b>	< ± 0.050%	<b>Breaking Overload</b>	300% of full scale
<b>Creep in 30 min.</b>	< ± 0.030%	<b>Seal Type / IP Rating</b>	Welded Seal / IP67
<b>Input Resistance</b>	380Ω ± 20	<b>Cable Color Code</b>	Exc+ Red      Exc- Black
<b>Output Resistance</b>	350Ω ± 3		Sig+ Green    Sig- White
<b>Element Material</b>	Alloy Steel		Shield Bare

### PART NUMBER

Rated Capacity	Part No.	Weight (kg) Approx.
500kg.....	106MH-F-500kg.....	1.0
1t.....	106MH-F-1t.....	1.0
2t.....	106MH-F-2t.....	1.0
1Klb.....	106MH-F-1Klb.....	1.0
2.5Klb.....	106MH-F-2.5Klb.....	1.0

### WEIGH MODULE

Model	Page
106MHM1.....	137