

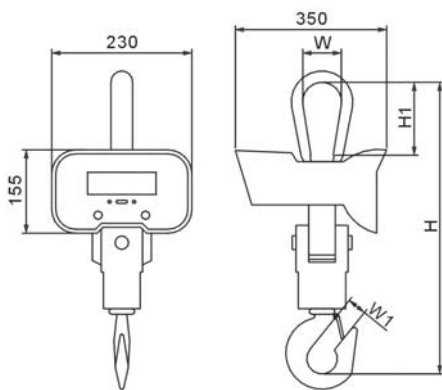
OCSB Series

FEATURES

- Fast resolution switching
- LED display 5 digits 1.5inch (38mm)
- Rotatable hook
- Idle mode to maximize the battery life
- HOLD function
- Tare In / Tare Out
- Unit switch: kg / lb
- Auto overload alarm at 100%F.S. +9e
- Auto power-off function

OPTION

- LCD display version, model OCSB4



CRANE SCALE

Model	OCSB3
Type	General
Accuracy Class	OIML III
Enclosure	Die-casting aluminum
Capacity Available	2/4/6/10Klb
Battery Life	100Hours
High Quality Load Receptor	Alloy Steel
Shackle	H.D. Fixed
Hook	H.D. Rotatable
High Capacity Rechargeable Battery	Yes 6V/10Ah
Infrared Remote Control	Yes

Rated Capacity	Division	H	H1	W	W1	N.W.	G.W.
2Klb/1t	1lb/0.5kg	395mm/15.6"	100mm/3.9"	70mm/2.8"	35mm/1.4"	12kg/26lb	13kg/29lb
4Klb/2t	2lb/1kg	395mm/15.6"	100mm/3.9"	70mm/2.8"	35mm/1.4"	12kg/26lb	13kg/29lb
6Klb/3t	2lb/1kg	395mm/15.6"	100mm/3.9"	70mm/2.8"	35mm/1.4"	12kg/26lb	13kg/29lb
10Klb/5t	5lb/2kg	490mm/19.3"	115mm/4.5"	85mm/3.4"	40mm/1.6"	17kg/37lb	19kg/40.8lb

*Dimensions and specifications are subject to change without notice.