

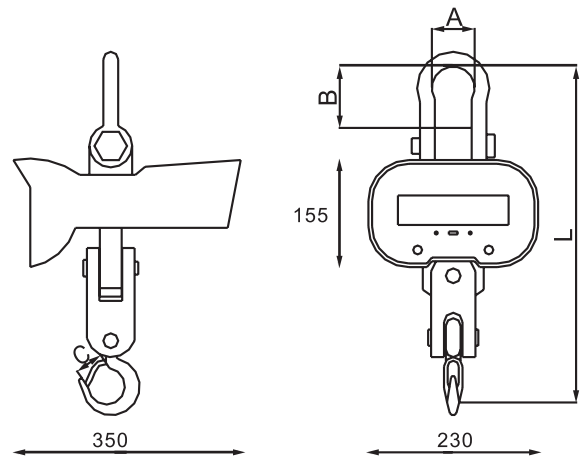


OCSA Series

FEATURES

- Fast resolution switching
- 38mm 5 digits LED display for OCSA3
- 30mm 5 digits LCD display for OCSA4
- Fixed hook
- Idle mode to maximize the battery life
- HOLD function
- Tare In / Tare Out
- Unit switch: kg / lb
- Auto overload alarm at 100%F.S. +9e
- Auto power-off function

Model	OCSA3	OCSA4
Type	General	General
Accuracy Class	OIML III	OIML III
Enclosure	Die-casting Aluminum	Die-casting Aluminum
Display	38mm LED	30mm LCD w/Backlight
Capacity Available	20 / 30 / 40 Klb	20 / 30 / 40 Klb
Battery Life	100 Hours	100 Hours
High Quality Load Receptor	Alloy Steel	Alloy Steel
Shackle	H.D. Bow	H.D. Bow
Hook	H.D. Eye	H.D. Eye
High Capacity Rechargeable Battery	Yes 6V/10Ah	Yes 6V/10Ah
Infrared Remote Control	Yes	Yes



Rated Capacity	Division	A	B	C	L	N.W.	G.W.
20Klb	10 lb	94mm / 3.70"	147mm / 5.71"	60mm / 2.36"	770mm / 30.31"	43kg / 94.8 lb	50kg / 100.2 lb
30Klb	10 lb	128mm / 5.04"	178mm / 7.01"	75mm / 2.95"	860mm / 33.86"	61kg / 134.5 lb	73kg / 160.9 lb
40Klb	20 lb	135mm / 5.31"	250mm / 9.84"	75mm / 2.95"	950mm / 37.40"	64kg / 141.1 lb	76kg / 167.6 lb

*Dimensions and specifications are subject to change without notice.