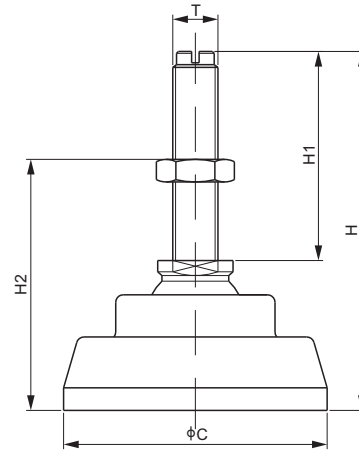


## Active Mounting Foot, Alloy Steel



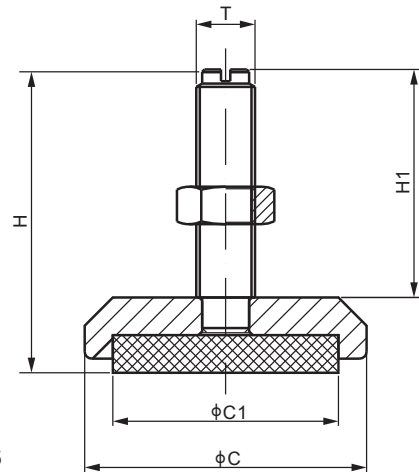
| PART NUMBER | RATED CAPACITY     | C    | DIMENSIONS |      |            |               | Self Weight Approx.(kg) |
|-------------|--------------------|------|------------|------|------------|---------------|-------------------------|
|             |                    |      | H          | H1   | H2         | T             |                         |
|             | <b>lb/inches</b>   |      |            |      |            |               |                         |
| AMF-F-1/2   | 100-4,000; SE5,000 | 2.76 | 3.85       | 2.17 | 2.01-3.68  | 1/2-20 UNF-2A | 0.5                     |
| AMF-F-3/4   | 5,000-10,000       | 3.15 | 4.07       | 2.19 | 2.24-3.90  | 3/4-16 UNF-2A | 0.8                     |
| AMF-F-1     | 15,000; 20,000     | 4.17 | 5.51       | 2.95 | 3.21-5.45  | 1-14 UNS-2A   | 1.8                     |
|             | <b>kg/mm</b>       |      |            |      |            |               |                         |
| AMF-F-M12   | 100-2,000          | 70   | 97.8       | 55.0 | 51-93.5    | M12X1.75      | 0.5                     |
| AMF-F-M18   | 2,500; 5,000       | 80   | 103.5      | 55.5 | 57-99      | M18X1.50      | 0.8                     |
| AMF-F-M24   | 10,000             | 106  | 140.0      | 75.0 | 81.5-138.5 | M24X2.00      | 1.8                     |

### AVAILABLE OPTIONS

- 2Cr13 Stainless Steel: AMFSS-F-xx
- 17-4PH and 304 Stainless Steel: AMFS4-F-xx

# FMF

## Fixed Mounting Foot, Alloy Steel



| PART NUMBER | RATED CAPACITY | C  | DIMENSIONS |      |      |            | Self Weight Approx.(kg) |
|-------------|----------------|----|------------|------|------|------------|-------------------------|
|             |                |    | C1         | H    | H1   | T          |                         |
|             | <b>lb/mm</b>   |    |            |      |      |            |                         |
| FMF60-1/2   | 500-SE5,000    | 60 | 48         | 64.5 | 48.5 | 1/2-20 UNF | 0.3                     |
| FMF70-3/4   | 5,000-10,000   | 70 | 58         | 76.0 | 58.0 | 3/4-16 UNF | -                       |
|             | <b>kg/mm</b>   |    |            |      |      |            |                         |
| FMF60-M12   | 100-2,000      | 60 | 48         | 64.5 | 48.5 | M12×1.75   | 0.3                     |
| FMF70-M18   | 2,500-5,000    | 70 | 58         | 76.0 | 58.0 | M18×1.50   | -                       |

### AVAILABLE OPTIONS

- 2Cr13 Stainless Steel: FMFSSxx-xx
- 17-4PH and 304 Stainless Steel: FMFS4xx-xx