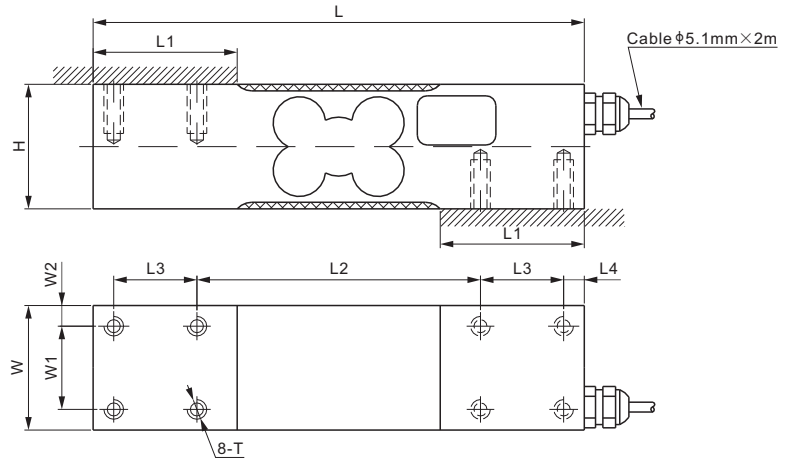


# 108LAMT



## Aluminum



### DIMENSIONS

| RATED CAPACITY                                    | H    | L     | L1   | L2   | L3   | L4   | W    | W1   | W2   | T             |
|---|------|-------|------|------|------|------|------|------|------|---------------|
| <b>kg/mm</b>                                      |      |       |      |      |      |      |      |      |      |               |
| 30-300  | 38.0 | 150.0 | 44.0 | 86.6 | 25.4 | 6.3  | 38.0 | 25.4 | 6.3  | M6 Depth 15   |
| <b>lb/inches</b> (conversion of above dimensions) |      |       |      |      |      |      |      |      |      |               |
| 66-661  | 1.50 | 5.91  | 1.73 | 3.41 | 1.00 | 0.25 | 1.50 | 1.00 | 0.25 | M6 Depth 0.59 |

### SPECIFICATIONS

|                   |                |                               |   |
|-------------------|----------------|-------------------------------|---|
| Full Scale Output | 2.0 mV/V ± 10% | Recommended Excitation        | 10V (15V Maximum)   |
| Zero Balance      | ± 0.02 mV/V    | Reference Max. Platform Size  | 500 × 500 mm  |
| Non-linearity     | < ± 0.017%     | Insulation Resistance         | > 2 [ 50V DC ] GΩ   |
| Repeatability     | < ± 0.017%     | Compensated Temperature Range | -10°C to 40°C / 14°F to 104°F                                     |
| Hysteresis Error  | < ± 0.017%     | Safe Overload                 | 150% of full scale  |
| Creep in 30 min.  | < ± 0.023%     | Breaking Overload             | 300% of full scale  |
| Input Resistance  | 385Ω ± 15      | Seal Type / IP Rating         | Environmentally Sealed / IP66                                     |
| Output Resistance | 350Ω ± 3       | Cable Color Code              | Exc+ Red    Exc- Black<br>Sig+ Green    Sig- White    Shield Bare |
| Element Material  | Aluminum       |                               |   |

### PART NUMBER\*

| Rated Capacity | Part No.           | Shipping Weight (kg) Approx. |
|----------------|--------------------|------------------------------|
| 30kg.....      | 108LAMT-30kg.....  | 0.6                          |
| 50kg.....      | 108LAMT-50kg.....  | 0.6                          |
| 60kg.....      | 108LAMT-60kg.....  | 0.6                          |
| 100kg.....     | 108LAMT-100kg..... | 0.6                          |
| 150kg.....     | 108LAMT-150kg..... | 0.6                          |
| 200kg.....     | 108LAMT-200kg..... | 0.6                          |
| 300kg.....     | 108LAMT-300kg..... | 0.6                          |

\* ATEX, FM, IECEx approved versions carry the "-Ex" suffix.

### INTERCHANGEABLE PRODUCTS

| Manufacturer        | Model  |
|---------------------|--------|
| Mettler-Toledo..... | MT1241 |

### AVAILABLE OPTIONS

- Stainless Steel 2Cr13: 108LSMT