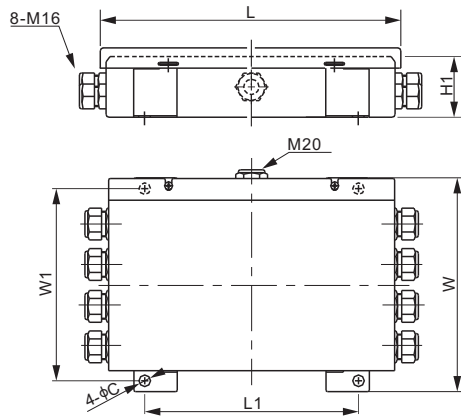
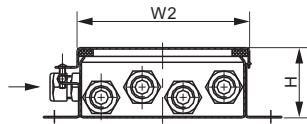
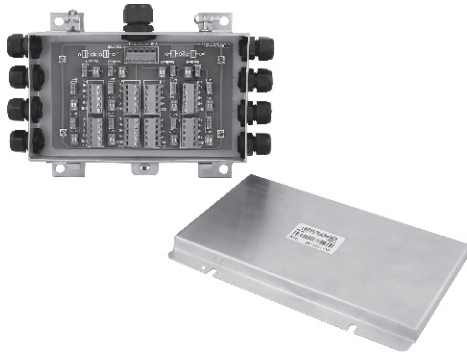


## Stainless Steel



### Features:

- Enclosure Material: Stainless steel SS304
- Number of cells: 2 - 8 single cells
- Trimming: Section or individual cell trim, with excitation or signal trim
- Equipped with independent potentiometers
- Captive stainless steel screws
- IP Rating: IP65

### DIMENSIONS

	C	H	H1	L	L1	W	W1	W2
mm	8	43	40	200	147	147	134	119
inches	0.3	1.7	1.6	7.9	5.8	5.8	5.3	4.7

### SPECIFICATIONS

<b>Number of Cells</b>	2 - 8 single cells	<b>Trimming</b>	Section or individual cell trim, with excitation or signal trim
<b>Input Cable Fittings</b>	M16: 4mm - 8mm diameter cable		
<b>Output Cable Fittings</b>	M20: 5mm - 9mm diameter cable	<b>Enclosure Material</b>	Stainless steel SS304
		<b>IP Rating</b>	IP65

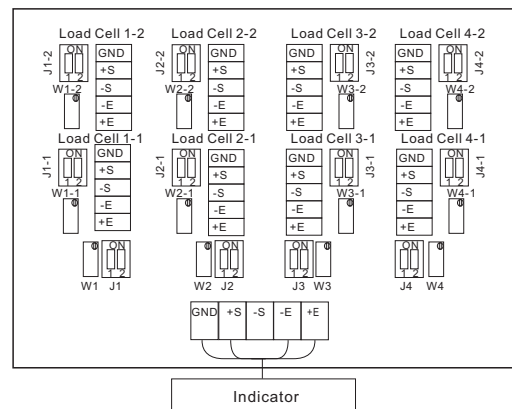
### TRIMMING RANGE

Load Cell Resistance	Signal Trim	Excitation Trim
350Ω	3.6% of output	2.3% of output
700Ω	6.3% of output	1.3% of output
1000Ω	7.0% of output	1.0% of output

### PART NUMBER

Trimming	Section Trim	Lightning Protection	Part No.	Weight (kg) Approx.
Excitation	Yes	No	J08ES	1.0
Signal	Yes	No	J08SS	1.0
Excitation	No	No	J08ES-I	1.0
Signal	No	No	J08SS-I	1.0
Excitation	No	Yes	J08ES-II	1.0
Signal	No	Yes	J08SS-II	1.0
Excitation	Yes	Yes	J08ES-III	1.0
Signal	Yes	Yes	J08SS-III	1.0

### MOTHERBOARD LAYOUT



JUNCTION BOXES