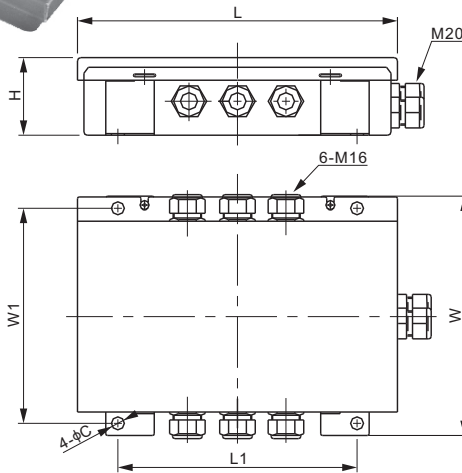


### Features:

- Enclosure Material: Stainless steel SS304
- Number of cell connections: 2 - 6 single cells
- Trimming: Individual cell with excitation or signal trim
- Equipped with independent potentiometers
- Captive stainless steel screws
- IP Rating: IP65



### DIMENSIONS

	C	H	L	L1	W	W1
mm	8	43	200	147	149	135
inches	0.3	1.7	7.9	5.8	5.9	5.3

### SPECIFICATIONS

<b>Number of Cells</b>	2 - 6 single cells	<b>Trimming</b>	Individual cell with excitation or signal trim
<b>Input Cable Fittings</b>	M16: 4mm - 8mm diameter cable	<b>Enclosure Material</b>	Stainless steel SS304
<b>Output Cable Fittings</b>	M20: 5mm - 9mm diameter cable	<b>IP Rating</b>	IP65

### TRIMMING RANGE

Load Cell Resistance	Signal Trim	Excitation Trim
----------------------	-------------	-----------------

350 Ω	.....3.6% of output	.....2.3% of output
700 Ω	.....6.3% of output	.....1.3% of output
1000 Ω	.....7.0% of output	.....1.0% of output

### PART NUMBER

Trimming	Lightning Protection	Part No.	Weight (kg) Approx.
Excitation	.....No	J06ES	.....0.9
Signal	.....No	J06SS	.....0.9
Excitation	.....Yes	J06ES-II	.....0.9
Signal	.....Yes	J06SS-II	.....0.9

### MOTHERBOARD LAYOUT

