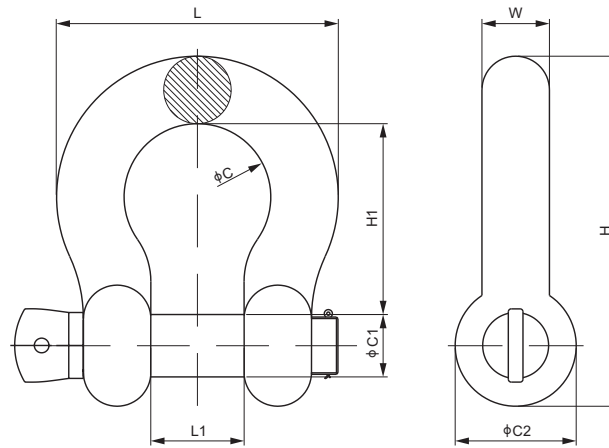


## Shackle, Stainless Steel



### Features:

- Work capacity: 1t; 5t
- Test load: 200% rated capacity
- Breaking load: 400% rated capacity
- Made of SS304 corrosion resistant material
- High tensile shackle, product meets ISO2415-2004



### DIMENSIONS

PART NUMBER	C	C1	C2	H	H1	L	L1	W	Safe Working Load	Shipping Weight
<b>mm</b>										
RBXS-1t	45	12	24	85	55	68	25	12	1t	0.23kg
RBXS-5t	43	20	40	108.5	60.5	79	27	18	5t	0.75kg
<b>inches</b> (conversion of above dimensions)										
RBXS-1t	1.77	0.47	0.94	3.35	2.17	2.68	0.98	0.47	2.20Klb	0.51lb
RBXS-5t	1.69	0.79	1.57	4.27	2.38	3.11	1.06	0.71	11.02Klb	1.65lb

SHACKLES, EYEBOLTS, ROD END