

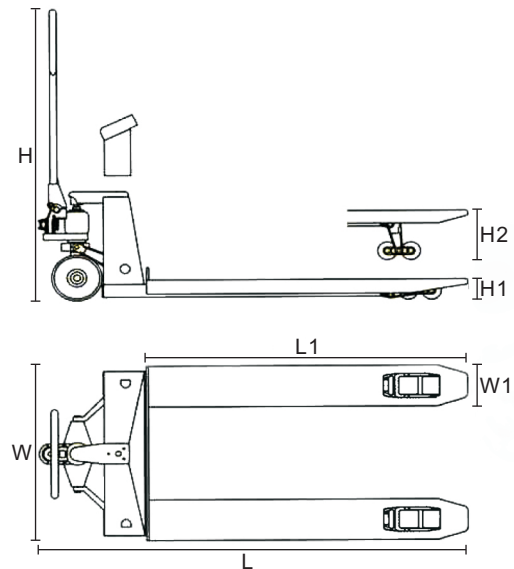


NPS Series

FEATURES

- Include all universal hand pallet truck functions
- LED display, 6 x 1 inch digits
- Basic counting function
- kg/lb conversion
- Rechargeable battery
- Low voltage indication
- Auto-off and Auto-idle

Part#	NPS-55H-2t
Division	0.5kg (1.1lb*)
Power Source	Rechargeable 6V/4Ah Battery
Construction	Mild Steel
Operating Temp.	0 to 45°C / 32 to 113°F
Overload Capacity	FS +9e
Stable Time	1 second
Load cell part#	563YHTH-1t
Width over the Forks(W)	55.5cm / 21.9inch
Fork Width(W1)	16cm / 6.3inch
Total Length(L)	155cm / 61.0inch
Fork Length(L1)	115cm / 45.3inch
Total Height(H)	112cm / 44.0inch
Lifting Height(H1-H2)	8.5 to 19.5cm (3.4 to 7.7inch)
Self Weight (Approx.)	95kg / 209lb
Shipping Weight (Approx.)	121kg / 267lb
Packing Dimensions	161cm X 59cm X 59cm/ 63.4in X 23.2in X 23.2in



*Primary unit as kg; kg/lb conversion by 2.204623 but not by increment of 1,2 or 5 when in lb

*Dimensions and specifications are subject to change without notice.