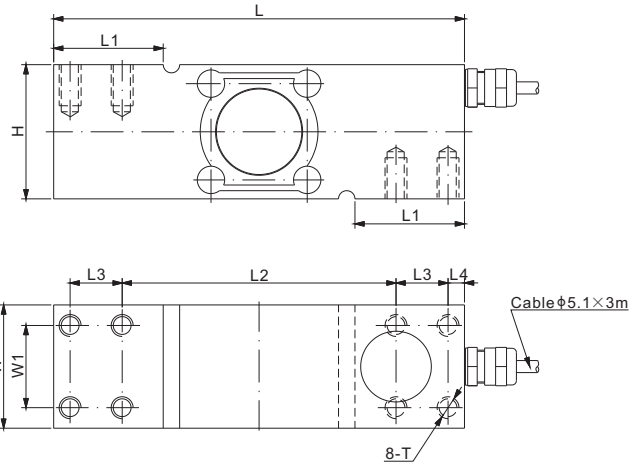
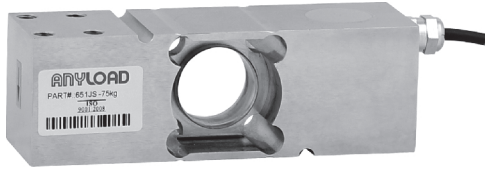


651JS



Stainless Steel



DIMENSIONS

RATED CAPACITY	H	L	L1	L2	L3	L4	W	W1	T
kg/mm									
50-400	49.0	150.0	40.0	100.0	19.0	6.0	45.0	30.0	M8 Depth15
lb/inches (conversion of above dimensions)									
110.2-881.9	1.9	5.9	1.6	3.9	0.7	0.2	1.8	1.2	M8 Depth0.6

SPECIFICATIONS

Full Scale Output	2.0 mV/V ± 10%	Recommended Excitation	10V (15V Maximum)
Zero Balance	± 0.02 mV/V	Reference Max. Platform Size	600×600 mm
Non-linearity	< ± 0.03%	Insulation Resistance	>2 [50V DC] GΩ
Repeatability	< ± 0.03%	Compensated Temperature Range	-10°C to 50°C / 14°F to 122°F
Hysteresis Error	< ± 0.02%	Safe Overload	150% of full scale
Creep in 30 min.	< ± 0.03%	Breaking Overload	300% of full scale
Input Resistance	1100Ω ± 50	Seal Type / IP Rating	Welded Seal / IP68/IP69K
Output Resistance	1000Ω ± 5	Cable Color Code	Exc+ Red Exc- Black Sig+ Green Sig- White Shield Bare
Element Material	17-4PH Stainless Steel		

PART NUMBER

Rated Capacity	Part No.	Weight (kg) Approx.
50kg.....	651JS-50kg	2.1
75kg.....	651JS-75kg	2.1
200kg.....	651JS-200kg.....	2.2
400kg.....	651JS-400kg.....	2.2

50kg - 75kg: NTEP 1:10 000 Class III, Single Cell;
200kg - 400kg: NTEP 1:5 000 Class III, Single Cell;

50kg - 75kg: OIML MAA C9, Y=18 000;
200kg - 400kg: OIML MAA C4, Y=26 000

INTERCHANGEABLE PRODUCTS

Model	Model
651JS-50kg	108JA-50kg*
651JS-75kg	108JA-75kg*
651JS-75kg	108JA-LE75kg*
651JS-200kg	108JA-SE200kg*
651JS-400kg	108JA-SE400kg*

* Most dimensions are the same, except overall height (H on the drawing): 651JS all capacities at 49mm(1.9inch), while 108JA-50kg & 108JA-75kg 25mm(0.98inch), 108JA-LE75kg, 108JA-SE200kg, 108JA-SE400kg 40mm(1.57inch).