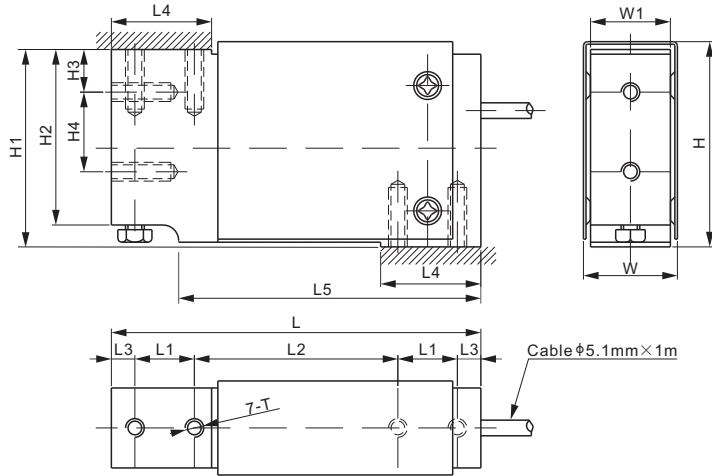
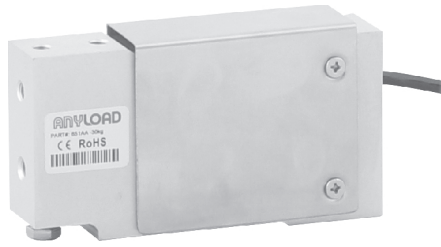


# 651AA



## Aluminum



CE RoHS

### DIMENSIONS

RATED CAPACITY	H	H1	H2	H3	H4	L	L1	L2	L3	L4	L5	W	W1	T
kg/mm														
10-100	65.5	63.0	56.0	13.6	25.4	118.0	19.1	65.0	7.5	32.0	96.5	30.0	25.5	M6X1 Depth19
lb/inches (conversion of above dimensions)														
22-220.5	2.58	2.48	2.21	0.54	1.00	4.65	0.75	2.56	0.30	1.26	3.80	1.18	1.00	M6X1 Depth0.75

### SPECIFICATIONS

Full Scale Output	2.0 mV/V ± 10%	Recommended Excitation	10V (15V Maximum)
Zero Balance	± 0.02 mV/V	Reference Max. Platform Size	400 × 400 mm
Non-linearity	< ± 0.017%	Insulation Resistance	> 2 [ 50V DC ] GΩ
Repeatability	< ± 0.017%	Nominal Temperature Range	-10°C to 40°C / 14°F to 104°F
Hysteresis Error	< ± 0.017%	Safe Overload	150% of full scale
Creep in 30 min.	< ± 0.023%	Breaking Overload	300% of full scale
Input Resistance	415Ω ± 15	Seal Type / IP Rating	Environmentally Sealed / IP66
Output Resistance	350Ω ± 3	Cable Color Code	Exc+ Red    Exc- Black Sig+ Green    Sig- White    Shield Bare
Element Material	Aluminum		

### PART NUMBER

Rated Capacity	Part No.	Weight (kg) Approx.
10kg.....	651AA-10kg.....	0.5
15kg.....	651AA-15kg.....	0.5
30kg.....	651AA-30kg.....	0.5
50kg.....	651AA-50kg.....	0.5
100kg.....	651AA-100kg.....	0.5

### INTERCHANGEABLE PRODUCTS

Manufacturer	Model
Coti Global .....	CG-1010
HBM.....	SP10*
Rice Lake.....	RL1010*
Vishay Tedea-Huntleigh .....	.1010*
Vishay Tedea-Huntleigh .....	.1015

\* HBM SP10, Rice Lake RL1010, Vishay Tedea-Huntleigh 1010 are of imperial thread 1/4"-20 UNC

SINGLE POINTS