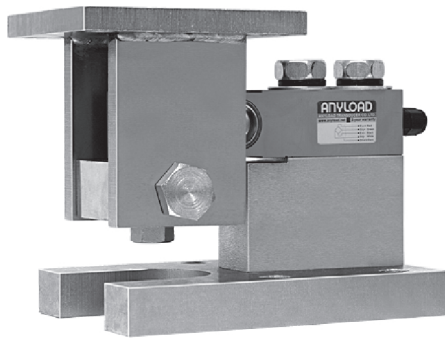


563YHM2

Alloy Steel



WEIGH MODULES

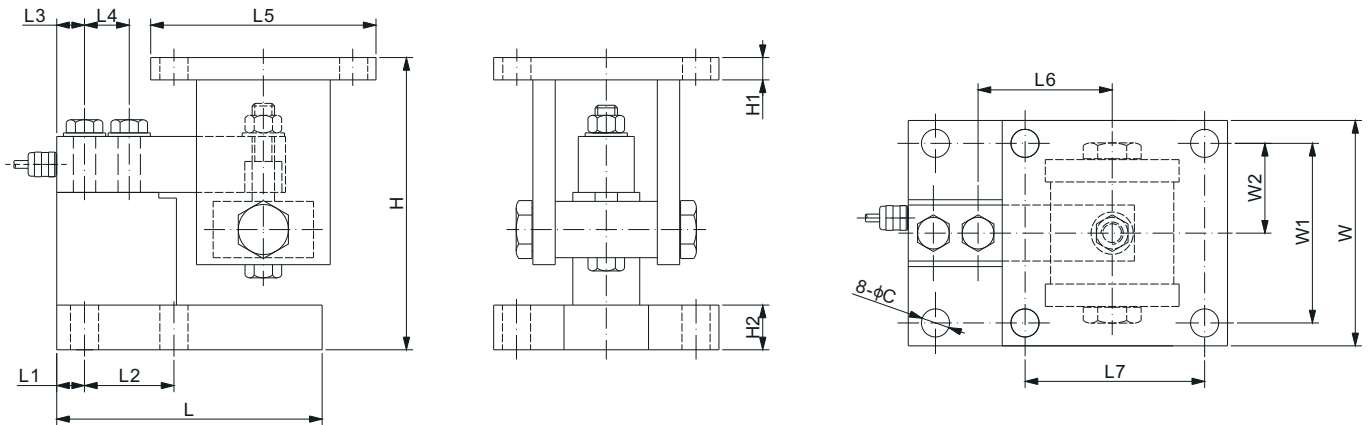
Features:

- Assembles: 563YH single ended beam load cell
- Capacities: 100lb-10Klb/100kg-5t
- Center pivoted and self-checking
- Tension load applied to the load cell is converted to compression load application for the weigh module

Load Cell Certifications:



Load Cell Not Included.



DIMENSIONS

LOAD CELL CAPACITY	C	H _{Min/Max}	H1	H2	L	L1	L2	L3	L4	L5	L6	L7	W	W1	W2	
lb/inches																
100-4,000;SE5,000	0.63	6.50/6.69	0.50	1.00	5.98	0.67	2.00	0.62	1.00	5.04	3.00	4.02	5.04	4.02	2.01	
5,000-10,000	0.63	6.50/6.69	0.50	1.00	7.76	1.06	2.99	0.75	1.50	5.04	3.75	4.02	5.04	4.02	2.01	
kg/mm																
100-2,000	16.0	165.0/170.0	12.7	25.4	152.0	17.0	50.8	15.80	25.4	128.0	76.2	102.0	128.0	102.0	51.0	
3,000-5,000	16.0	165.0/170.0	12.7	25.4	197.0	27.0	75.9	19.10	38.1	128.0	95.3	102.0	128.0	102.0	51.0	

SE refers to small envelope

PART NUMBER

Load Cell Capacity	Part No.	Weight (kg) Approx.
100lb-SE5Klb.....	563YHM2-(0.1-SE5)Klb.....	9.1
5Klb-10Klb.....	563YHM2-(5-10)Klb.....	11.0
100kg-2t.....	563YHM2-(100kg-2t).....	9.1
3t-5t.....	563YHM2-(3-5)t.....	11.0

INTERCHANGEABLE PRODUCTS

Manufacturer	Model
Rice Lake.....	RL1800*

* H_{Min/Max} of RL1800 is 5.25/5.56 inch for 100lb to SE5Klb, 6.12/6.62 inch for 5Klb to 10Klb.