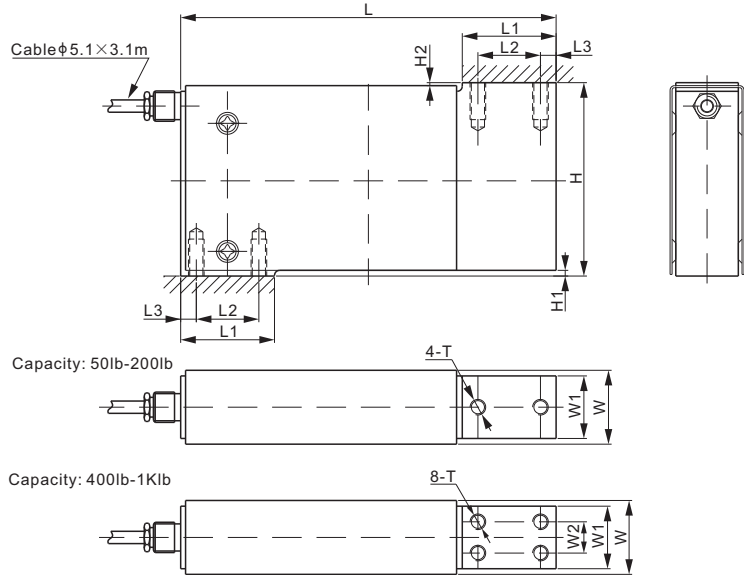


108TSVS



Stainless Steel



CE RoHS

DIMENSIONS

RATED CAPACITY	H	H1	H2	L	L1	L2	L3	W	W1	W2	T
lb/inches											
50-200	3.09	0.09	0.04	6.00	1.50	1.00	0.25	1.18	1.00	-	1/4-28 UNF-2B Depth0.75
400-500	3.09	0.09	0.04	6.00	1.50	1.00	0.25	1.18	1.00	0.50	1/4-28 UNF-2B Depth0.75
1,000	3.09	0.09	0.18	6.00	1.50	1.00	0.25	1.69	1.50	1.00	5/16-24 UNF-2B Depth0.75
kg/mm (conversion of above dimensions)											
22.7-90.8	78.5	2.3	1.2	152.4	38.1	25.4	6.4	30.0	25.4	-	1/4-28 UNF-2B Depth19.0
181.6-227	78.5	2.3	1.2	152.4	38.1	25.4	6.4	30.0	25.4	12.7	1/4-28 UNF-2B Depth19.0
454	78.5	2.3	4.6	152.4	38.1	25.4	6.4	43.0	38.1	25.4	5/16-24 UNF-2B Depth19.0

SPECIFICATIONS

Full Scale Output	2.0 mV/V \pm 10%	Recommended Excitation	10V (15V Maximum)
Zero Balance	\pm 0.02 mV/V	Reference Max. Platform Size	Capacity \leq 500lb: 500 \times 500 mm Capacity \geq 1Klb: 750 \times 750 mm
Non-linearity	$< \pm$ 0.017%	Insulation Resistance	$>$ 2 [50V DC] G Ω
Repeatability	$< \pm$ 0.017%	Compensated Temperature Range	-10°C to 50°C / 14°F to 122°F
Hysteresis Error	$< \pm$ 0.017%	Safe Overload	150% of full scale
Creep in 30 min.	$< \pm$ 0.023%	Breaking Overload	300% of full scale
Input Resistance	385 Ω \pm 15	Seal Type / IP Rating	Environmentally Sealed / IP66
Output Resistance	350 Ω \pm 5	Cable Color Code	Exc+ Red Exc- Black Sig+ Green Sig- White Shield Bare
Element Material	2Cr13 Stainless Steel		

PART NUMBER

Rated Capacity	Part No.	Weight (kg) Approx.
50lb.....	108TSVS-50lb-YZ.....	1.8
100lb.....	108TSVS-100lb-YZ.....	1.8
200lb.....	108TSVS-200lb-YZ.....	1.8
400lb.....	108TSVS-400lb-YZ.....	1.8
500lb.....	108TSVS-500lb-YZ.....	1.8
1Klb.....	108TSVS-1Klb-YZ.....	2.6

INTERCHANGEABLE PRODUCTS

Manufacturer	Model
Coti Global.....	CG-60048
Vishay Sensortronics.....	60048

SINGLE POINTS