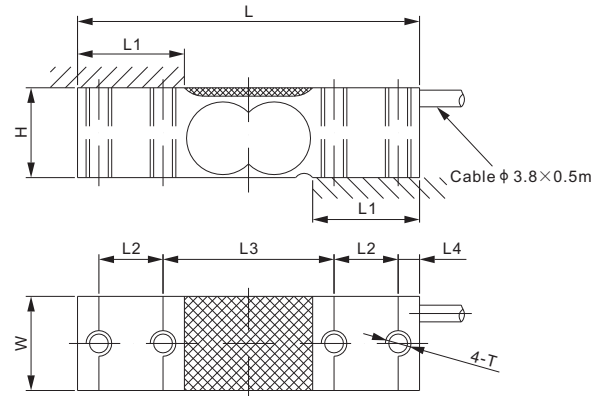


108SA

Aluminum



CE RoHS

DIMENSIONS

RATED CAPACITY	H	L	L1	L2	L3	L4	W	T
kg/mm								
6-30	21.0	80.0	25.0	15.0	40.0	5.0	22.0	M6
lb/inches (conversion of above dimensions)								
13.23-66.14	0.83	3.15	0.98	0.59	1.58	0.20	0.87	M6

SPECIFICATIONS

Full Scale Output	1.5 mV/V \pm 10%	Recommended Excitation	10V (15V Maximum)
Zero Balance	\pm 0.02 mV/V	Reference Max. Platform Size	250 \times 250 mm
Non-linearity	$<$ \pm 0.050%	Insulation Resistance	$>$ 2 [50V DC] G Ω
Repeatability	$<$ \pm 0.030%	Nominal Temperature Range	-10°C to 40°C / 14°F to 104°F
Hysteresis Error	$<$ \pm 0.050%	Safe Overload	150% of full scale
Creep in 30 min.	$<$ \pm 0.020%	Breaking Overload	300% of full scale
Input Resistance	1000 Ω \pm 3	Seal Type / IP Rating	Environmentally Sealed / IP66
Output Resistance	1000 Ω \pm 3	Cable Color Code	Exc+ Red Exc- Black Sig+ Green Sig- White Shield Bare
Element Material	Aluminum		

PART NUMBER

Rated Capacity	Part No.	Weight (kg) Approx.
6kg	108SA-6kg	0.1
10kg	108SA-10kg	0.1
15kg	108SA-15kg	0.1
20kg	108SA-20kg	0.1
30kg	108SA-30kg	0.1

SINGLE POINTS