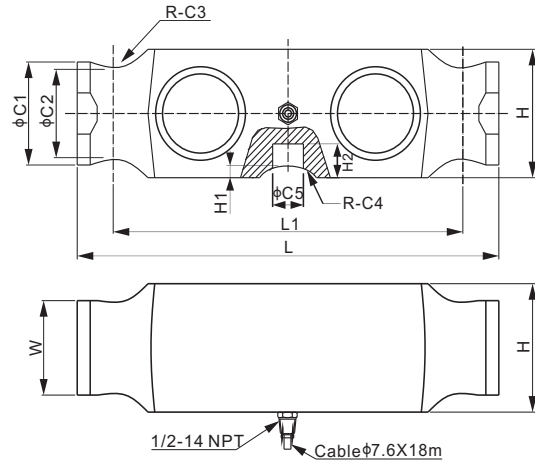


# 102RH



## Alloy Steel



DOUBLE ENDED BEAMS

### DIMENSIONS

RATED CAPACITY	C1	C2	C3	C4	C5	H	H1	H2	L	L1	W
<b>Klb/inches</b>											
50-65	2.40	2.06	1.00	1.00	0.75	2.99	0.28	0.79	10.25	8.50	2.20
100-125	2.40	2.06	1.00	1.00	0.75	2.99	0.28	0.79	10.25	8.50	2.20
<b>t/mm</b>											
10; 15	40.0	30.0	19.0	19.0	16.0	49.3	5.7	13.7	220.0	170.0	36.0

### SPECIFICATIONS

<b>Full Scale Output</b>	3.0 mV/V $\pm$ 0.25%	<b>Recommended Excitation</b>	10V (15V Maximum)
<b>Zero Balance</b>	$\pm$ 0.02 mV/V	<b>Insulation Resistance</b>	>2 [ 50V DC ] G $\Omega$
<b>Non-linearity</b>	< $\pm$ 0.023%	<b>Compensated Temperature Range</b>	-10°C to 50°C / 14°F to 122°F
<b>Repeatability</b>	< $\pm$ 0.017%	<b>Safe Overload</b>	150% of full scale
<b>Hysteresis Error</b>	< $\pm$ 0.023%	<b>Breaking Overload</b>	300% of full scale
<b>Creep in 30 min.</b>	< $\pm$ 0.023%	<b>Seal Type / IP Rating</b>	Welded Seal / IP68
<b>Input Resistance</b>	700 $\Omega$ $\pm$ 10	<b>Cable Color Code</b>	Exc+ Red      Exc- Black
<b>Output Resistance</b>	700 $\Omega$ $\pm$ 5		Sig+ Green     Sig- White
<b>Element Material</b>	Alloy Steel, Nickel Plated		Shield Bare

### PART NUMBER

Rated Capacity	Part No.	Weight (kg) Approx.
10t.....	102RH-10t.....	4.0
15t.....	102RH-15t.....	4.0
50Klb .....	102RH-50Klb .....	8.6
65Klb .....	102RH-65Klb .....	8.6
100Klb .....	102RH-CH-100Klb.....	8.6
125Klb .....	102RH-CH-125Klb.....	9.2

\* No  $\phi$ C5 hole

(Not interchangeable with 100Klb, 125Klb of CG-5223, interchange with 100Klb, 125Klb of RL75223, 5223, 65040-1127W)

100Klb .....	102RH-100Klb.....	8.6
125Klb .....	102RH-125Klb.....	9.2

### INTERCHANGEABLE PRODUCTS

Manufacturer	Model
Coti Global.....	CG-5223
Rice Lake.....	RL75223
Vishay Revere Transducers .....	5223
Vishay Sensortronics .....	65040-1127W

50Klb-125Klb: NTEP 1:10 000 Class III L, Multiple Cell

11t-15t: OIML MAA C4, Y=15 000