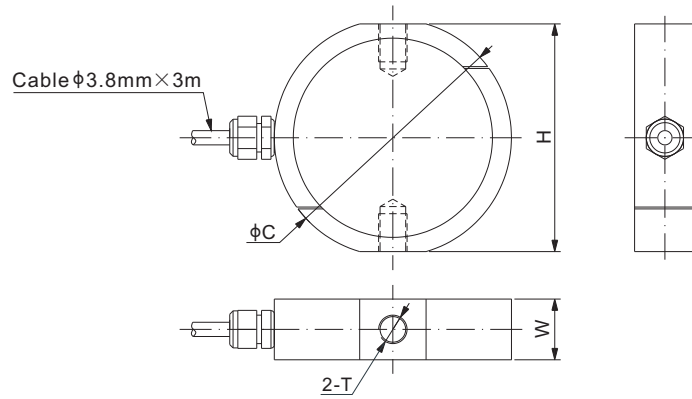


Stainless Steel



DIMENSIONS

RATED CAPACITY	C	H	W	T
N/mm 100,250,500,750	50.0	48.0	12.4	M6 Depth8
lb/inches (conversion of above dimensions) 22.48,56.2,112.4,168.6	1.97	1.89	0.49	M6 Depth0.31

SPECIFICATIONS

Full Scale Output	2.0 mV/V ± 1%	Recommended Excitation	10V (15V Maximum)
Zero Balance	± 0.02 mV/V	Insulation Resistance	>2 [50V DC] GΩ
Non-linearity	< ± 0.050%	Compensated Temperature Range	-10°C to 50°C / 14°F to 122°F
Repeatability	< ± 0.020%	Safe Overload	150% of full scale
Hysteresis Error	< ± 0.10%	Breaking Overload	300% of full scale
Creep in 30 min.	< ± 0.10%	Seal Type / IP Rating	Environmentally Sealed / IP66
Input Resistance	400Ω ± 20	Cable Color Code	Exc+ Red Exc- Black
Output Resistance	350Ω ± 3		Sig+ Green Sig- White
Element Material	17-4PH Stainless Steel		Shield Bare

PART NUMBER

Rated Capacity	Part No.	Weight (kg) Approx.
100N.....	101RS-100N.....	0.2
250N.....	101RS-250N.....	0.2
500N.....	101RS-500N.....	0.2
750N.....	101RS-750N.....	0.2