

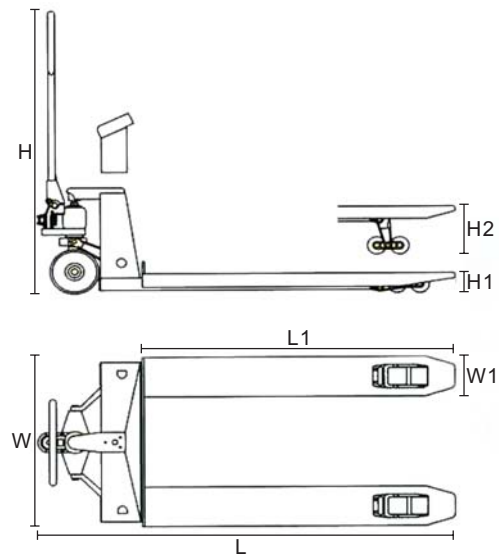


NPS Series

FEATURES

- Include all universal hand pallet truck functions
- LED display, 6 x 1 inch digits
- Basic counting function
- kg/lb conversion
- Rechargeable battery
- Low voltage indication
- Auto-off and Auto-idle

| | |
|----------------------------------|--|
| Part# | NPS-68H-2t |
| Division | 0.5kg (1.1lb*) |
| Power Source | Rechargeable 6V/4Ah Battery |
| Construction | Mild Steel |
| Operating Temp. | 0 - 45°C / 32 - 113°F |
| Overload Capacity | FS +9e |
| Stable Time | 1 second |
| Load cell part# | 563YHTH-1t |
| Width over the Forks(W) | 68.5cm / 27.0inch |
| Fork Width(W1) | 16cm / 6.3inch |
| Total Length(L) | 155cm / 61.0inch |
| Fork Length(L1) | 115cm / 45.3inch |
| Total Height(H) | 112cm / 44.0inch |
| Lifting Height(H1-H2) | 8.5 to 19.5cm (3.4 to 7.7inch) |
| Self Weight (Approx.) | 95kg / 209lb |
| Shipping Weight (Approx.) | 126kg / 278lb |
| Packing Dimensions | 161cm X 73cm X 49cm/ 63.4in X 28.7in X 19.3in |



*Primary unit as kg; kg/lb conversion by 2.204623 but not by increment of 1,2 or 5 when in lb

*Dimensions and specifications are subject to change without notice.