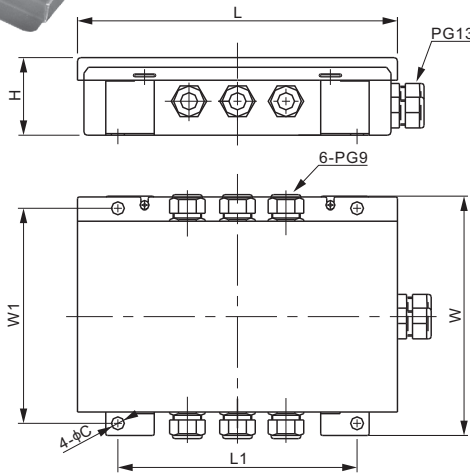


Features:

- Enclosure Material: Stainless steel SS304
- Number of cell connections: 2 - 6 single cells
- Trimming: Individual cell with excitation or signal trim
- Equipped with independent potentiometers
- Captive stainless steel screws
- IP Rating: IP65



DIMENSIONS

	C	H	L	L1	W	W1
mm	8	43	200	147	149	135
inches	0.3	1.7	7.9	5.8	5.9	5.3

SPECIFICATIONS

Number of Cells	2 - 6 single cells	Trimming	Individual cell with excitation or signal trim
Input Cable Fittings	PG9: 4mm - 8mm diameter cable	Enclosure Material	Stainless steel SS304
Output Cable Fittings	PG13: 6mm - 12mm diameter cable	IP Rating	IP65

TRIMMING RANGE

Load Cell Resistance	Signal Trim	Excitation Trim
----------------------	-------------	-----------------

350 Ω3.6% of output2.3% of output
700 Ω6.3% of output1.3% of output
1000 Ω7.0% of output1.0% of output

PART NUMBER

Trimming	Lightning Protection	Part No.	Weight (kg) Approx.
ExcitationNo	J06ES0.9
SignalNo	J06SS0.9
ExcitationYes	J06ES-II0.9
SignalYes	J06SS-II0.9

MOTHERBOARD LAYOUT

