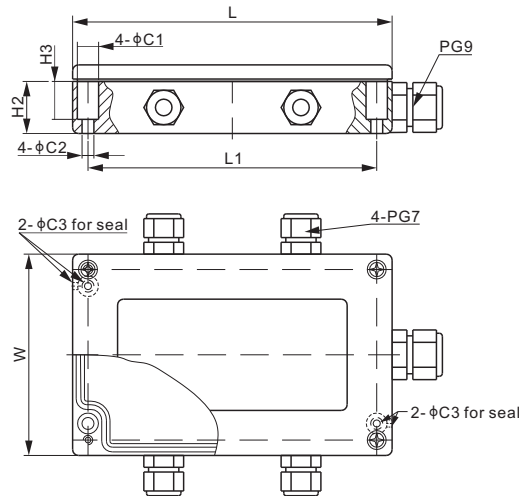


Features:

- Enclosure Material: Aluminum casting
- Number of cells: 2 - 4 single cells
- Trimming: Individual cell with excitation or signal trim
- Equipped with independent potentiometers
- Capative stainless steel screws (attached to the cover)
- IP Rating: IP65



DIMENSIONS

	C1	C2	C3	H	H1	H2	H3	L	L1	W	W1	W2	T
mm	9	5	3	29.4	11.4	22.7	16	135	122	85	72	58	M4 Depth7
inches	0.4	0.2	0.1	1.2	0.4	0.9	0.6	5.3	4.8	3.3	2.8	2.3	M4 Depth0.3

SPECIFICATIONS

Number of Cells	2 - 4 single cells	Trimming	Individual cell with excitation or signal trim
Input Cable Fittings	PG7: 2mm - 6mm diameter cable	Enclosure Material	Aluminum casting
Output Cable Fittings	PG9: 4mm - 8mm diameter cable	IP Rating	IP65

TRIMMING RANGE

Load Cell Resistance	Signal Trim	Excitation Trim
350Ω	3.6% of output	2.3% of output
700Ω	6.3% of output	1.3% of output
1000Ω	7.0% of output	1.0% of output

PART NUMBER

Trimming	Part No.	Shipping Weight (kg) Approx.
Excitation Trim	J04EA	0.5
Signal Trim	J04SA	0.5

MOTHERBOARD LAYOUT

