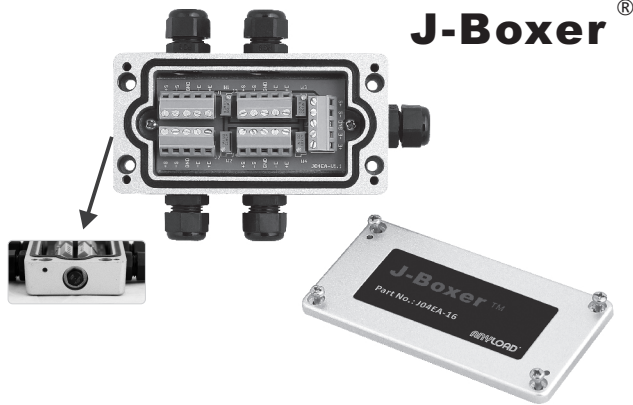


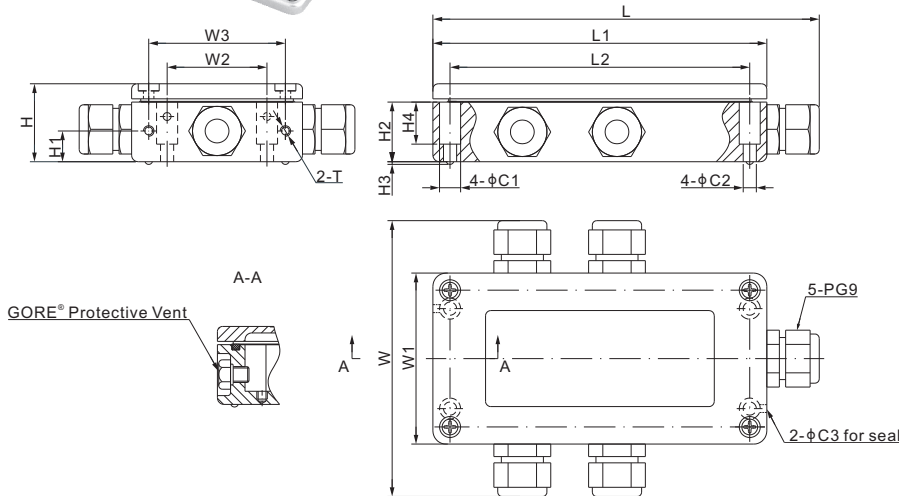
## Aluminum



### J-Boxer<sup>®</sup>

#### Features:

- Compact size with strong aluminum casting
- Number of cells: 2 - 4 single cells
- Trimming: Individual cell with excitation or signal trim
- Preinstalled GORE<sup>®</sup> breather vent
- Equipped with independent potentiometers
- Captive stainless steel screws (attached to the cover)
- IP Rating: IP67



#### DIMENSIONS

	C1	C2	C3	H	H1	H2	H3	H4	L	L1	L2	W	W1	W2	W3	T
mm	8.0	5.0	3.0	29	11.7	22.7	1.0	16	151	127	114	112	65	38	52	M4 Depth
inches	0.31	0.2	0.12	1.14	0.46	0.89	0.04	0.63	5.94	5.0	4.49	4.41	2.56	1.5	2.05	M4 Depth 0.28

#### SPECIFICATIONS

Number of Cells	2 - 4 single cells	Trimming	Individual cell with excitation or signal trim
Input Cable Fittings	PG9: 4mm - 8mm diameter cable	Enclosure Material	Aluminum casting
Output Cable Fittings	PG9: 4mm - 8mm diameter cable	IP Rating	IP67

#### TRIMMING RANGE

Load Cell Resistance	Signal Trim	Excitation Trim
----------------------	-------------	-----------------

350Ω	3.6% of output	2.3% of output
700Ω	6.3% of output	1.3% of output
1000Ω	7.0% of output	1.0% of output

#### PART NUMBER

Trimming	Part No.	Weight (kg) Approx.
Excitation Trim	J04EA-16	0.5
Signal Trim	J04SA-16	0.5

#### MOTHERBOARD LAYOUT

