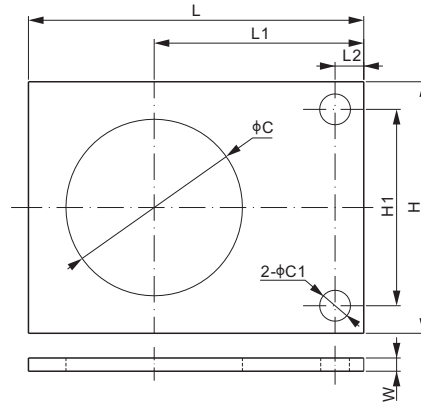


SBMP

Scale Base Mounting Plate, Mild Steel

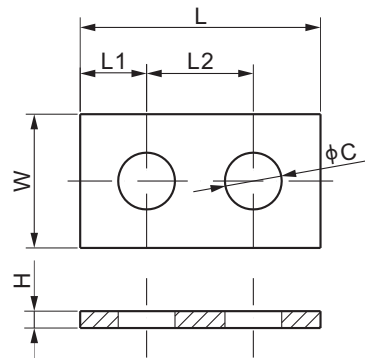
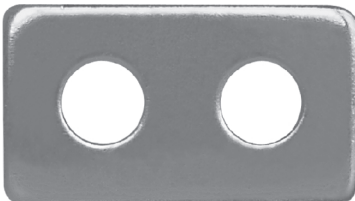


DIMENSIONS

PART NUMBER	C	C1	H	H1	L	L1	L2	W	Suggested Mounting Foot	Self Weight Approx.(kg)
mm										
SBMP-80	80	14	114	89	152	95	13	6	AMF-F-1/2 or AMF-F-M12	0.58
SBMP-90	90	14	114	89	152	95	13	6	AMF-F-3/4 or AMF-F-M18	0.51
inches (conversion of above dimensions)										
SBMP-80	3.15	0.55	4.49	3.50	5.98	3.74	0.51	0.24	AMF-F-1/2 or AMF-F-M12	0.58
SBMP-90	3.54	0.55	4.49	3.50	5.98	3.74	0.51	0.24	AMF-F-3/4 or AMF-F-M18	0.51

SPACER

Load Cell Spacer, Nickel Plated Mild Steel



DIMENSIONS

PART NUMBER	LOAD CELL CAPACITY *	C	H	L	L1	L2	W	Self Weight Approx.(kg)
kg/mm								
SPACER-1/2	100-2,000	13.5	4	57.20	15.8	25.4	31.8	0.04
SPACER-3/4	2,500-5,000	19.8	4	76.20	19.1	38.1	38.1	0.07
SPACER-1	10,000	26.2	5	101.6	25.4	50.8	50.8	0.20
lb/inch								
SPACER-1/2	100-SE5,000	0.53	0.16	2.25	0.62	1.00	1.25	0.10
SPACER-3/4	5,000; 10,000	0.78	0.16	3.00	0.75	1.50	1.50	0.15
SPACER-1	15,000; 20,000	1.03	0.20	4.00	1.00	2.00	2.00	0.44

* Refer to 563 series.

AVAILABLE OPTIONS

- Stainless Steel: SPACERSS-xx