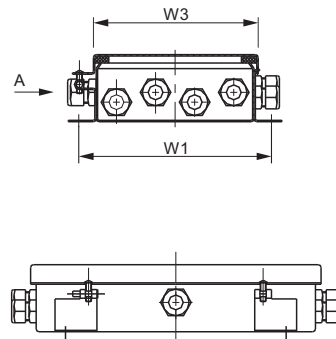
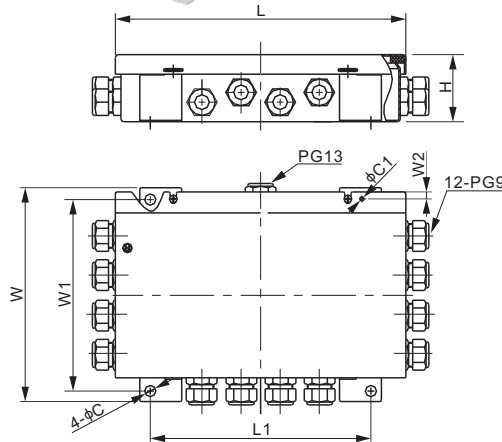


Features:

- Enclosure Material: Stainless steel SS304
- Number of cells: 2 - 12 single cells
- Trimming: Section or individual cell trim, with excitation or signal trim
- Equipped with independent adjustable resistors
- Captive stainless steel screws
- IP Rating: IP65



DIMENSIONS

	C	C1	H	L	L1	W	W1	W2	W3
mm	8	3	47	200	150	174	159	3.5	150
inches	0.3	0.1	1.8	7.9	5.9	6.9	6.3	0.1	5.9

SPECIFICATIONS

Number of Cells	2 - 12 single cells	Trimming	Section or individual cell trim, with excitation or signal trim
Input Cable Fittings	PG9: 4mm - 8mm diameter cable		
Output Cable Fittings	PG13: 6mm - 12mm diameter cable	Enclosure Material	Stainless steel SS304
		IP Rating	IP65

TRIMMING RANGE

Load Cell Resistance	Signal Trim	Excitation Trim
350Ω3.6% of output2.3% of output
700Ω6.3% of output1.3% of output
1000Ω7.0% of output1.0% of output

PART NUMBER

Trimming	Section Trim	Lightning Protection	Part No.	Weight (kg) Approx.
Excitation.....YesNoNo	J12ES.....	1.1
Signal.....YesNoNo	J12SS.....	1.1
Excitation.....NoNoNo	J12ES-I.....	1.1
Signal.....NoNoNo	J12SS-I.....	1.1
Excitation.....NoYesYes	J12ES-II.....	1.1
Signal.....NoYesYes	J12SS-II.....	1.1
Excitation.....YesYesYes	J12ES-III.....	1.1
Signal.....YesYesYes	J12SS-III.....	1.1

MOTHERBOARD LAYOUT

