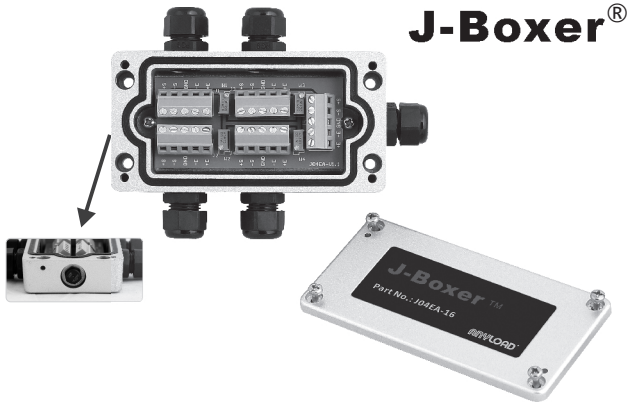


J04EA-16; J04SA-16

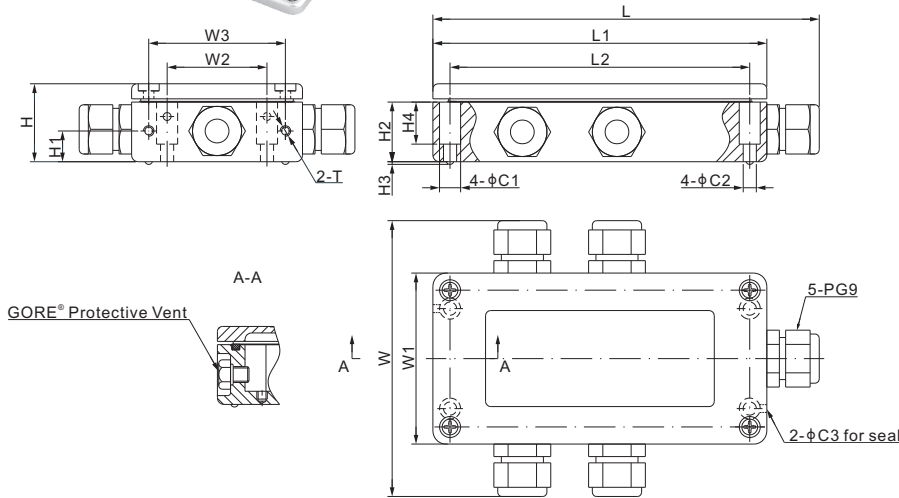
Aluminum



J-Boxer®

Features:

- Compact size with strong aluminum casting
- Number of cells: 2 - 4 single cells
- Trimming: Individual cell with excitation or signal trim
- Preinstalled GORE® breather vent
- Equipped with independent adjustable resistors
- Captive stainless steel screws (attached to the cover)
- IP Rating: IP67



DIMENSIONS

	C1	C2	C3	H	H1	H2	H3	H4	L	L1	L2	W	W1	W2	W3	T
mm	8.0	5.0	3.0	29	11.7	22.7	1.0	16	151	127	114	112	65	38	52	M4 Depth
inches	0.31	0.2	0.12	1.14	0.46	0.89	0.04	0.63	5.94	5.0	4.49	4.41	2.56	1.5	2.05	M4 Depth 0.28

SPECIFICATIONS

Number of Cells	2 - 4 single cells	Trimming	Individual cell with excitation or signal trim
Input Cable Fittings	PG9: 4mm - 8mm diameter cable	Enclosure Material	Aluminum casting
Output Cable Fittings	PG9: 4mm - 8mm diameter cable	IP Rating	IP67

TRIMMING RANGE

Load Cell Resistance	Signal Trim	Excitation Trim
350Ω	3.6% of output	2.3% of output
700Ω	6.3% of output	1.3% of output
1000Ω	7.0% of output	1.0% of output

PART NUMBER

Trimming	Part No.	Weight (kg) Approx.
Excitation Trim	J04EA-16	0.5
Signal Trim	J04SA-16	0.5

MOTHERBOARD LAYOUT

