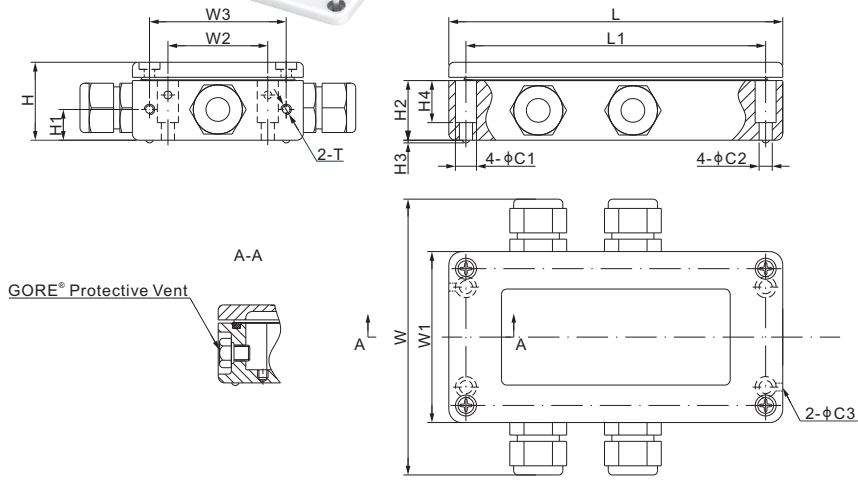


### Features:

- Compact size with strong aluminum casting
- Can drive up to 8 x350Ω load cells
- Can be connected directly to 1 or 2 load cells or connected to several load cells through a junction box
- Preinstalled GORE<sup>®</sup> breather vent
- Capative stainless steel screws (attached to the cover)



### DIMENSIONS

	C1	C2	C3	H	H1	H2	H3	H4	L	L1	W	W1	W2	W3	T
mm	8.0	5.0	3.0	29	11.7	22.7	1.0	16	127	114	102	65	38	52	M4 Depth7
inches	0.31	0.2	0.12	1.14	0.46	0.89	0.04	0.63	5.0	4.49	4.02	2.56	1.5	2.05	M4 Depth0.28

### SPECIFICATIONS

Load Cell Type		All strain gage type
Power Supply	V DC	24 ± 20%
Input Range	mV	0 ± 36
Max. Power	W	4.35
Output Signal	V	0 - 10 / 0 ± 10
	mA	4 - 20 (Adjustable ± 20%)
Max. Input Offset Voltage	μV	50
Min. Common-mode Rejection Ratio (G=10)	dB	100
IP Rating		IP66
Enclosure Material		Aluminum casting
Excitation voltage to load cell	V	5 or 12
Tare Limit		Shall not exceed 30% of full load

### PART NUMBER

Part No.	Shipping Weight (kg) Approx.
A2A-D2.....	0.5

### CONNECTION DIAGRAM

