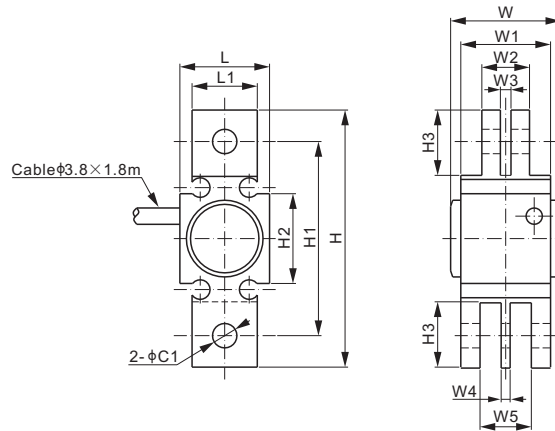
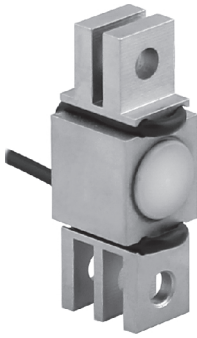


110ZHBL

Alloy Steel



CE RoHS

DIMENSIONS

RATED CAPACITY	C1	H	H1	H2	H3	L	L1	W	W1	W2	W3	W4	W5
110ZHBL534: kg/mm 1,500	6.0	63.0	47.6	22.0	16.0	22.0	16.0	27.0	22.0	11.7	2.6	2.2	12.6
110ZHBL634: kg/mm 2,500	8.0	76.2	57.2	27.7	19.5	25.2	19.0	30.0	25.2	15.5	3.5	3.0	16.8
lb/inches 2,500	0.32	3.00	2.25	1.09	0.77	0.99	0.75	1.18	0.99	0.61	0.14	0.12	0.66

SPECIFICATIONS

Full Scale Output	1.5 mV/V ± 0.25%	Recommended Excitation	10V (15V Maximum)
Zero Balance	± 0.02 mV/V	Insulation Resistance	>2 [50V DC] GΩ
Non-linearity	< ± 0.4%	Compensated Temperature Range	-10°C to 50°C / 14°F to 122°F
Repeatability	< ± 0.05%	Safe Overload	150% of full scale
Hysteresis Error	< ± 0.1%	Breaking Overload	400% of full scale
Creep in 30 min.	< ± 0.05%	Seal Type / IP Rating	Environmentally Sealed / IP67
Input Resistance	1200Ω ± 60	Cable Color Code	Exc+ Red Exc- Black
Output Resistance	1000Ω ± 5		Sig+ Green Sig- White
Element Material	Alloy Steel, Nickel Plated		Shield Bare

PART NUMBER

Rated Capacity	Part No.	Weight (kg) Approx.
1.5t.....	110ZHBL534-1.5t.....	0.2
2.5t.....	110ZHBL634-2.5t.....	0.3
2.5Klb.....	110ZHBL634-2.5Klb.....	0.3