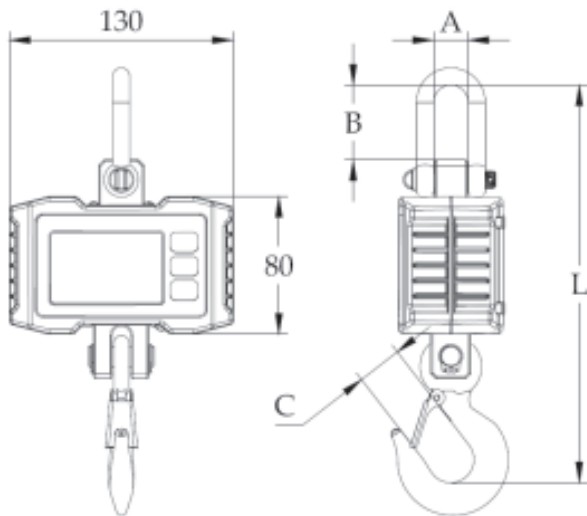


OCSS Series

FEATURES

- Fast resolution switching
- 22mm/11MM 5 digits LCD display
- Fixed hook
- Idle mode to maximize the battery life
- HOLD function
- Tare In / Tare Out
- Unit switch: kg / lb
- Auto overload alarm at 100%F.S. +9e
- Auto power-off function



Model	OCSS
Type	Smart
Accuracy Class	OIML III
Enclosure	Die-casting Aluminum
Display	22mm / 11mm LCD w/ Backlight
Capacity Available	200 lb
Battery Life	100 Hours
High Quality Load Receptor	Alloy Steel / Aluminum Stainless
Shackle	Steel
Hook	American Standard Eye
High Capacity Rechargeable Battery	3 x AA
Infrared Remote Control	No

Rated Capacity	Division	A	B	C	L	N.W.
100kg / 200 lb	0.05kg / 0.1 lb	20mm / 0.79"	43mm / 1.69"	25mm / 0.98"	220mm / 8.66"	1.0kg / 2.2 lb

*Dimensions and specifications are subject to change without notice.