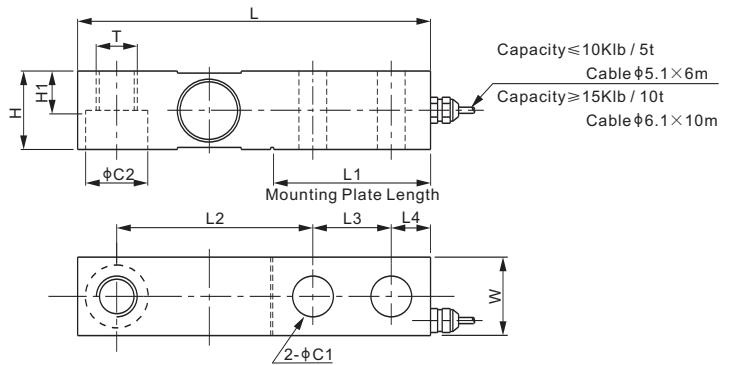


563YH

Alloy Steel



SINGLE ENDED BEAMS



DIMENSIONS

RATED CAPACITY	C1	C2	H	H1	L	L1	L2	L3	L4	W	T
lb/inches											
100-4,000;SE5,000	0.53	0.81	1.25	0.60	5.12	2.25	3.00	1.00	0.62	1.25	1/2-20 UNF-2B
LE2,500;5,000-10,000	0.78	1.19	1.50	0.75	6.75	3.00	3.75	1.50	0.75	1.50	3/4-16 UNF-2B
15,000-20,000	1.03	1.81	2.00	1.00	8.75	4.00	4.75	2.00	1.00	2.00	1-14 UNS-2B
kg/mm											
100-2,000	13.5	20.6	31.8	15.2	130.0	57.2	76.2	25.4	15.8	31.8	M12X1.75
2,500;3,000;5,000	19.8	30.2	38.1	19.1	171.5	76.2	95.3	38.1	19.1	38.1	M18X1.50
10,000	26.2	46.0	50.8	25.4	222.3	101.6	120.7	50.8	25.4	50.8	M24X2.00
20,000	30.2	50.0	58.0	32.0	241.5	110.0	132.0	55.0	27.5	58.0	M36X2.00

SPECIFICATIONS

Full Scale Output	3.0 mV/V ± 0.25%	Recommended Excitation	10V (15V Maximum)
Zero Balance	± 0.02 mV/V	Insulation Resistance	> 2 [50V DC] GΩ
Non-linearity	< ± 0.017%	Compensated Temperature Range	-10°C to 50°C / 14°F to 122°F
Repeatability	< ± 0.017%	Safe Overload	150% of full scale
Hysteresis Error	< ± 0.017%	Breaking Overload	300% of full scale
Creep in 30 min.	< ± 0.023%	Seal Type / IP Rating	Environmentally Sealed / IP67
Input Resistance	400Ω ± 20 for kg; 350Ω ± 7 for lb	Cable Color Code	Exc+ Red Exc- Black Sig+ Green Sig- White Shield Bare
Output Resistance	350Ω ± 3		
Element Material	Alloy Steel, Nickel Plated		

PART NUMBER

Rated Capacity	Part No.	Shipping Weight (kg) Approx.
100lb	563YH-100lb	1.0
250lb	563YH-250lb	1.0
500lb	563YH-500lb	1.0
1Klb	563YH-1Klb	1.0
1.5Klb	563YH-1.5Klb	1.0
2Klb	563YH-2Klb	1.0
2.5Klb	563YH-2.5Klb	1.0
LE2.5Klb	563YH-LE2.5Klb	1.7
4Klb	563YH-4Klb	1.0
SE5Klb	563YH-SE5Klb	1.0
5Klb	563YH-5Klb	1.8
10Klb	563YH-10Klb	1.8
15Klb	563YH-15Klb	4.0
20Klb	563YH-20Klb	4.0
100kg	563YH-100kg	1.0
200kg	563YH-200kg	1.0
300kg	563YH-300kg	1.0
500kg	563YH-500kg	1.0
750kg	563YH-750kg	1.0
1t	563YH-1t	1.0
1.5t	563YH-1.5t	1.0
2t	563YH-2t	1.0
2.5t	563YH-2.5t	1.8
3t	563YH-3t	1.8
5t	563YH-5t	1.8
10t	563YH-10t	4.0
20t	563YH-20t	5.6

WEIGH MODULE

Model	Page
563YHM2	142
563YHM4	143
563YHM5	144

INTERCHANGEABLE PRODUCTS

Manufacturer	Model
CAS	BSA*
Coti Global	CG-23*
Rice Lake	RL3000*
Rice Lake	RL35023*
Vishay Celtron	SQB*
Vishay Revere Transducers	5123*
Vishay Sensortronics	65023A*
Vishay TedeA-Huntleigh	3411*

* The dimensions of C2 of interchangeable models are different:
0.53 inch for 100lb to SE5Klb, 0.78 inch for 5Klb and 10Klb, 1.03 inch for 15Klb and 20Klb

250lb-2.5Klb & 200kg-1t: NTEP 1:5 000 Class III, Single Cell;
NTEP 1:9 500 Class III, Multiple Cell
4Klb-20Klb & 2t-5t: NTEP 1:6 000 Class III, Single Cell;
NTEP 1:10 000 Class III, Multiple Cell
 1Klb-5Klb & 500kg-2.5t: OIML MAA C4, Y=15 000;
10Klb-20Klb & 3t-10t: OIML MAA C6, Y=8 500

SE refers to small envelope

www.anyload.com

© 2018 ANYLOAD V2 dimensions and specifications subject to change without notice